

LCD Module


RoHS

NLC240x128BTGCD

(Status: January 2011)

Specification V1.1

Approval of Specification

	Approved by	Date
Admatec		12.01.2011
Customer		

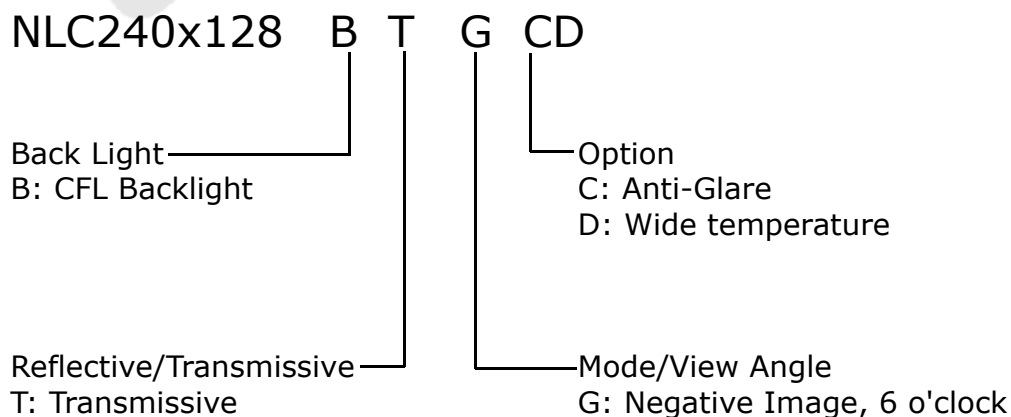
This product complies to EU directive 2002/95/EC (RoHS) of January 27th,2003.



1. MECHANICAL DATA

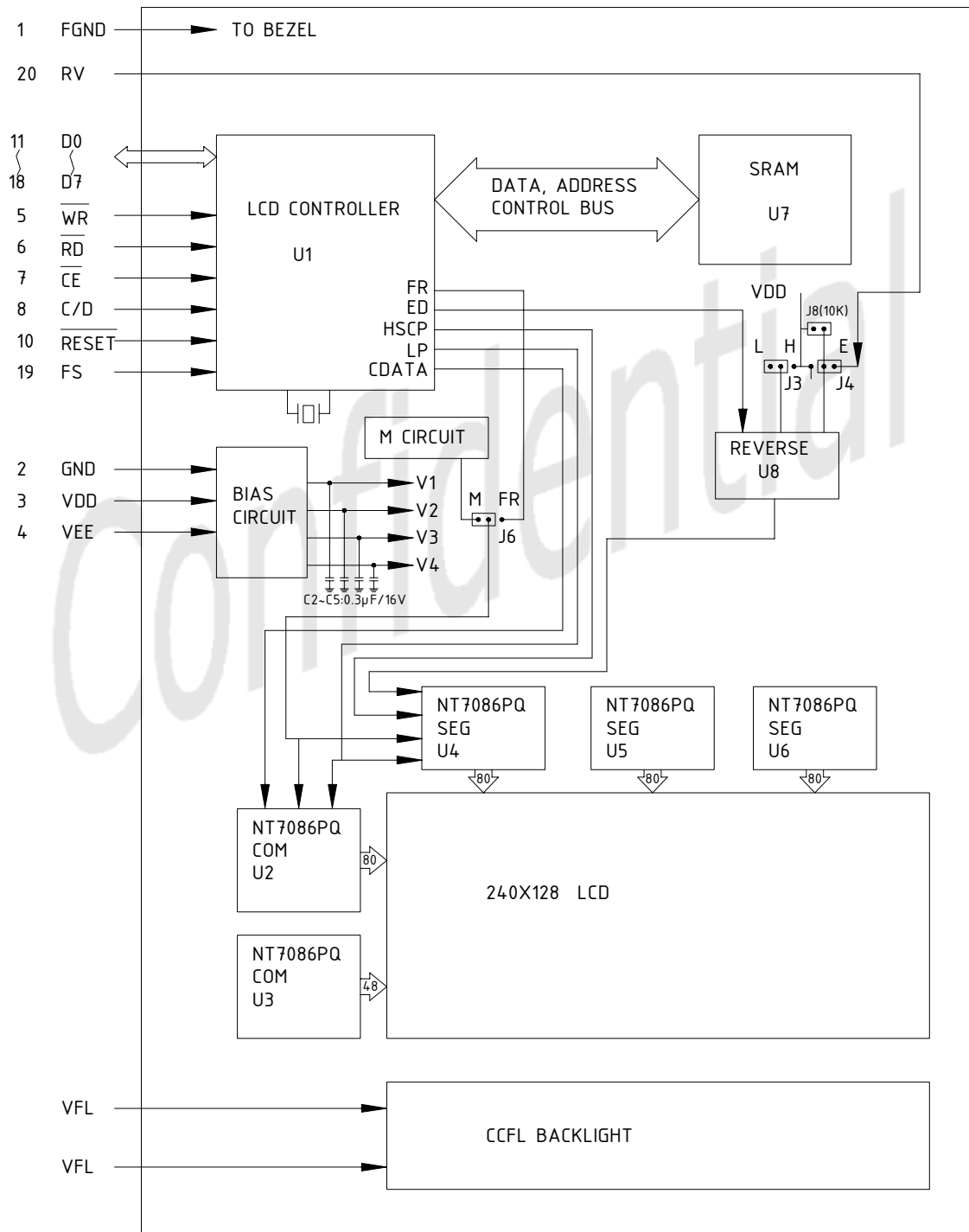
NO.	ITEM	CONTENTS	UNIT
1	Product No.	NLC240x128BTGCD	
2	Module Size	170.0(W)*102.0(H)*MAX 14.0(D)	mm
3	Dot Size	0.47(W)*0.47(H)	mm
4	Dot Pitch	0.5(W)*0.5(H)	mm
5	Number of Dots	240(W)*128(H)	--
6	Duty	1/128	--
7	LCD Type	FSTN Negative	--
8	Rear Polarizer	Transmissive	--
9	Viewing Direction	6 O'clock	--
10	Backlight	LED white	--
11	Controller	T6963C	--
12	DC/DC Converter	Excluded	--
13	Touch Panel	Excluded	--
14	Weight	225 (Approx.)	g

Note:





5. BLOCK DIAGRAM





6. INTERNAL PIN CONNECTION

LCD

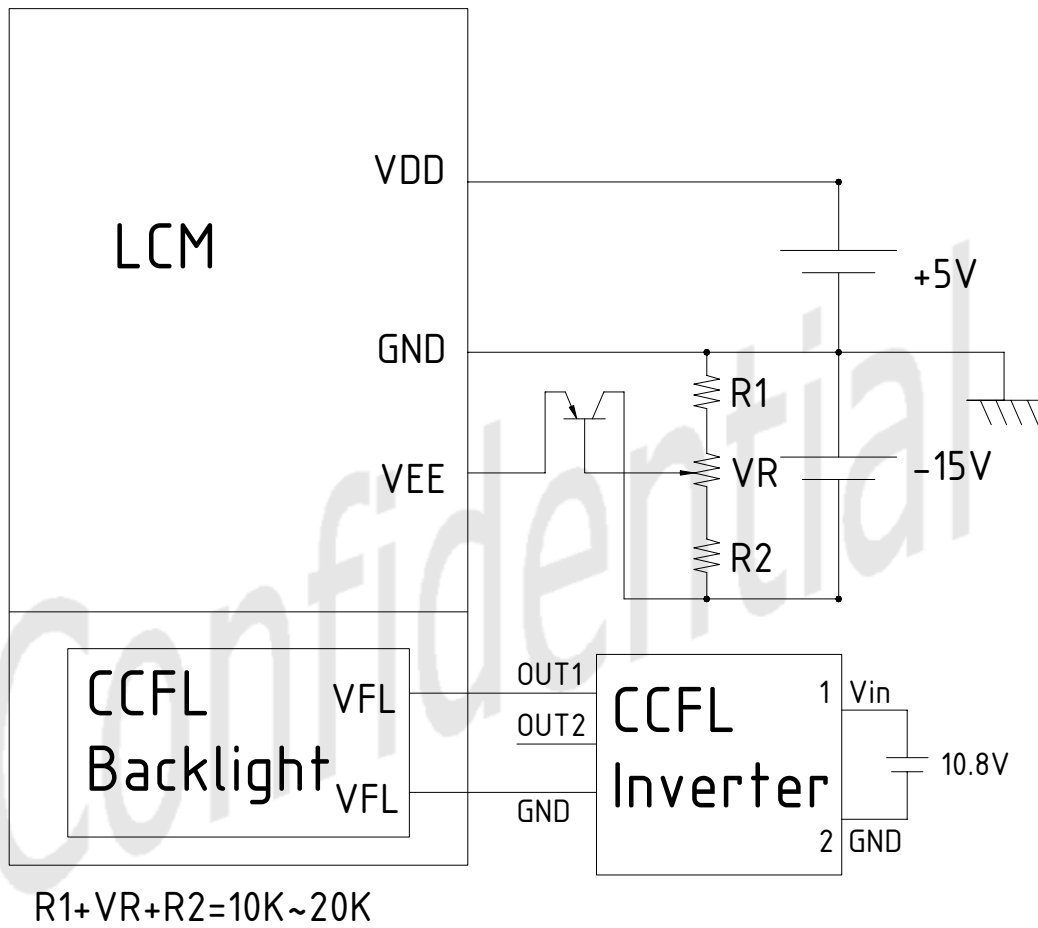
PIN No.	SYMBOL	FUNCTION
1	FGND	Frame Ground (0V)
2	GND	Ground
3	VDD	Power supply for Logic (+5V)
4	VEE	Power supply for LC driving
5	\overline{WR}	Data write
6	\overline{RD}	Data read
7	\overline{CE}	Chip enable
8	C/D	\overline{WR} ="L",C/D="H": Command Write \overline{WR} ="L",C/D="L": Data Write \overline{RD} ="L",C/D="H": Status Read \overline{RD} ="L",C/D="L": Data Read
9	NC	No connection
10	\overline{RESET}	Controller reset
11	D0	Data input/output
12	D1	Data input/output
13	D2	Data input/output
14	D3	Data input/output
15	D4	Data input/output
16	D5	Data input/output
17	D6	Data input/output
18	D7	Data input/output
19	FS	Font select: Connect to VDD: 6x8 pixels/character Connect to GND: 8x8 pixels/character
20	RV	Display data reverse: RV=H: Reverse Display RV=L: Normal Display

CFL

PIN No.	SYMBOL	FUNCTION
1	VFL	Power Supply FL Drive
2	NC	No Connection
3	NC	No Connection
4	NC	No Connection
5	VFL	Power Supply FL Drive



7. POWER SUPPLY





10. DRAWING

