

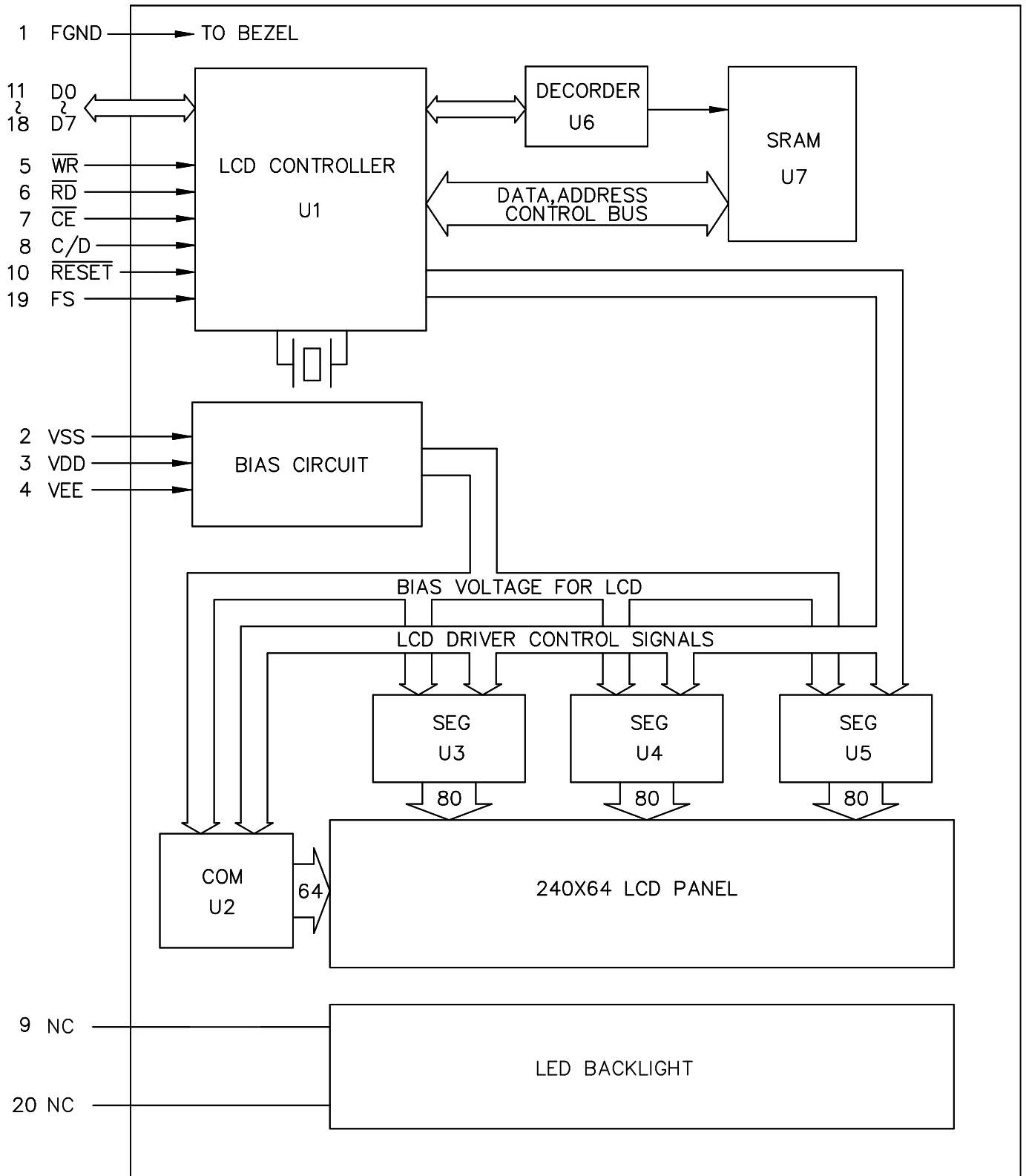
LCD Module

NLC240P064CSDD

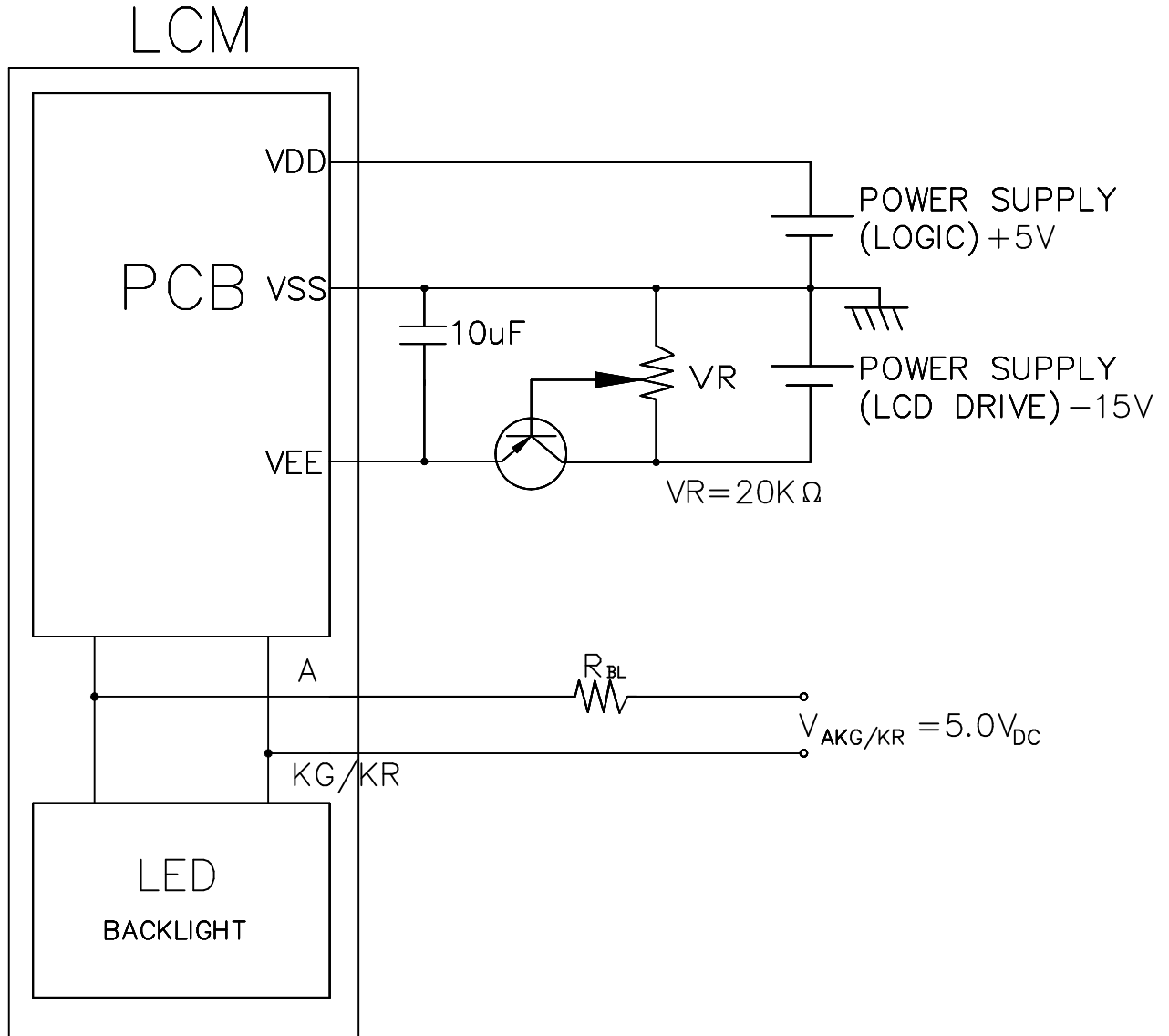
**This data sheet was
provided by
admatec GmbH**



5. BLOCK DIAGRAM



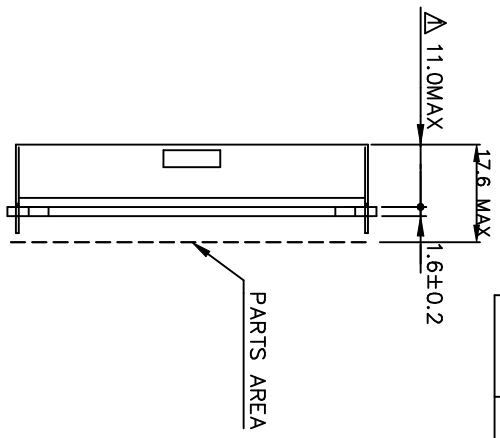
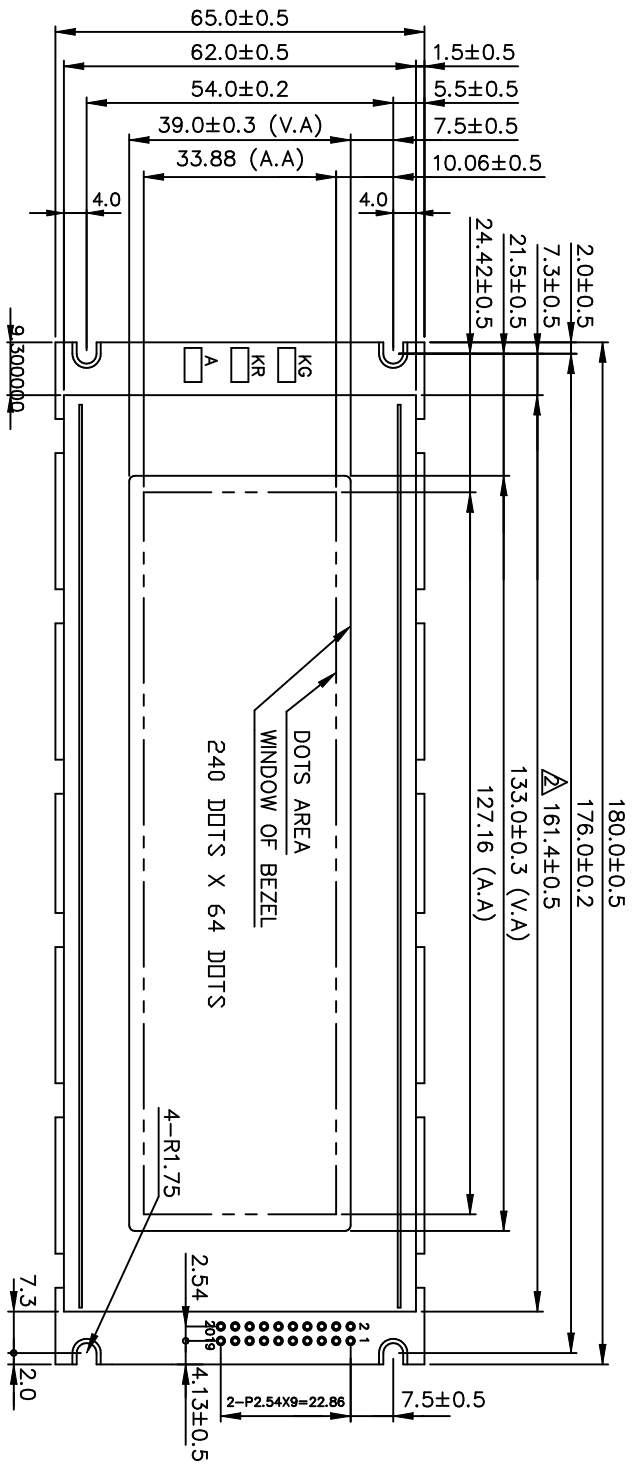
7. POWER SUPPLY



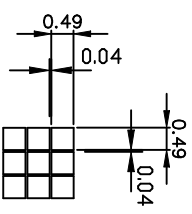
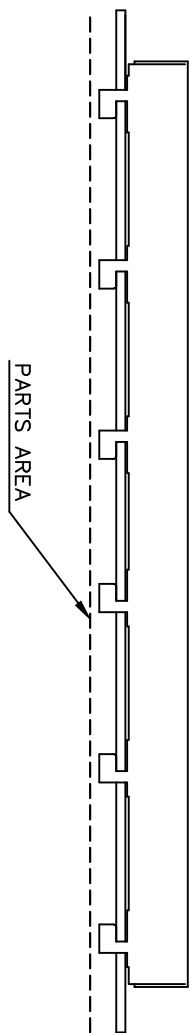
Recommended Value for R_{BL} & $V_{AKG/KR}$

| item | R_{BL} | $V_{AKG/KR}$ |
|----------------------|----------------|----------------|
| Back Light interface | Red&Yellow LED | Red&Yellow LED |
| A,KG/KR PAD | 5Ω | 5.0 Vdc |

VIEWING DIRECTION



| DATE | MODIFIED ISSUE |
|----------|---|
| 88.03.23 | Change top of PCB to top of edge height 9.3mm±11.0mm |
| 88.04.20 | Δ Change top of PCB to top of edge height 11.0±0.5mm+11.0 MAXmm Δ Change frame width 163.0±0.5mm+161.4±0.5mm |



NOTES

1. Resolution : 240 DOTS X 64 DOTS
2. Backlight Color: Yellow-green and Red
3. VIEWING DIRECTION : 12 O'CLDCK
4. General Tolerance : ±0.5 mm

| PIN NO. | 1 | 2 | 3 | 4 | 5 | 6 | 7 | 8 | 9 | 10 |
|---------|------|-----|-----|-----|----|----|----|-----|----|-------|
| SYMBOL | FGND | VSS | VDD | VEE | WR | RD | CE | C/D | NC | RESET |
| PIN NO. | 11 | 12 | 13 | 14 | 15 | 16 | 17 | 18 | 19 | 20 |
| SYMBOL | D0 | D1 | D2 | D3 | D4 | D5 | D6 | D7 | FS | NC |

| | | | | |
|---------|-----------------|--------|---------------|-----------------------------|
| 產品編號 | LMCJ6S003D99GPT | NAME | DATE | 南亞塑膠工業股份有限公司 |
| APPROVE | | TITLE | | NAN YA PLASTICS CORPORATION |
| CHECK | | DWG-NO | MCE\$003D99GP | 製品圖 |
| DESIGN | | UNIT | mm | Rev.C |
| DRAW | MAY PING | SCALE | 1/1 | |
| | 88.04.20 | | | THIRD ANGLE PROJECT |