

# LCD Module

## NLC122A032DSAx

(Status: Februar 2007)

# RoSH



SPECIFICATION

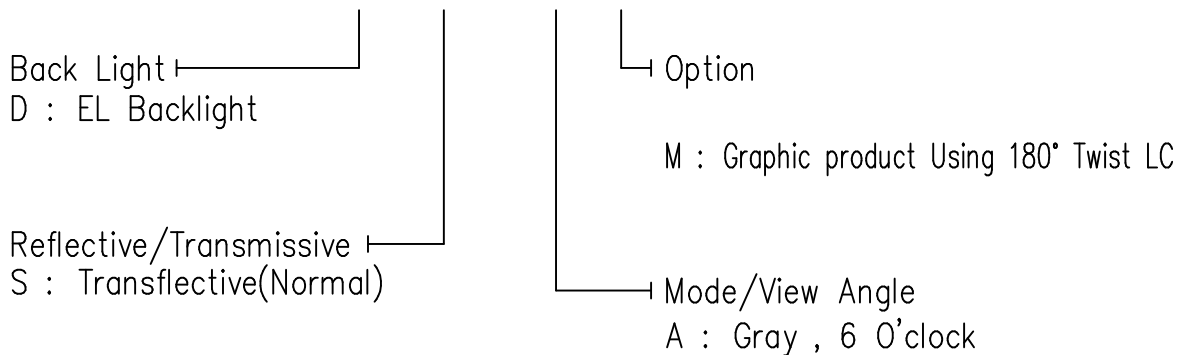
DATE : FEBRUARY.26.2007

SHEET NO. : 1/24

# 1. MECHANICAL DATA

NO	ITEM	CONTENTS	UNIT
1	Product No.	NLC122A032DSA <sub>x</sub>	—
2	Module Size	66.1 (W) x 27.3 (H) x 8.5 (D)	mm
3	Dot Size	0.40 (W) x 0.45 (H)	mm
4	Dot Pitch	0.44 (W) x 0.49 (H)	mm
5	Number of Dots	122 (W) x 32 (H)	Dot
6	Duty	1/32	—
7	LCD Display Mode	Gray Mode	—
8	Rear Polarizer	Transflective(Normal) Type	—
9	Viewing Direction	6	O'clock
10	Backlight	EL	—
11	Controller	SBN1661G-M02	—
12	DC/DC Converter	Exclude	—
13	Touch Panel	Exclude	—
14	Weight	17 (Approx.)	g

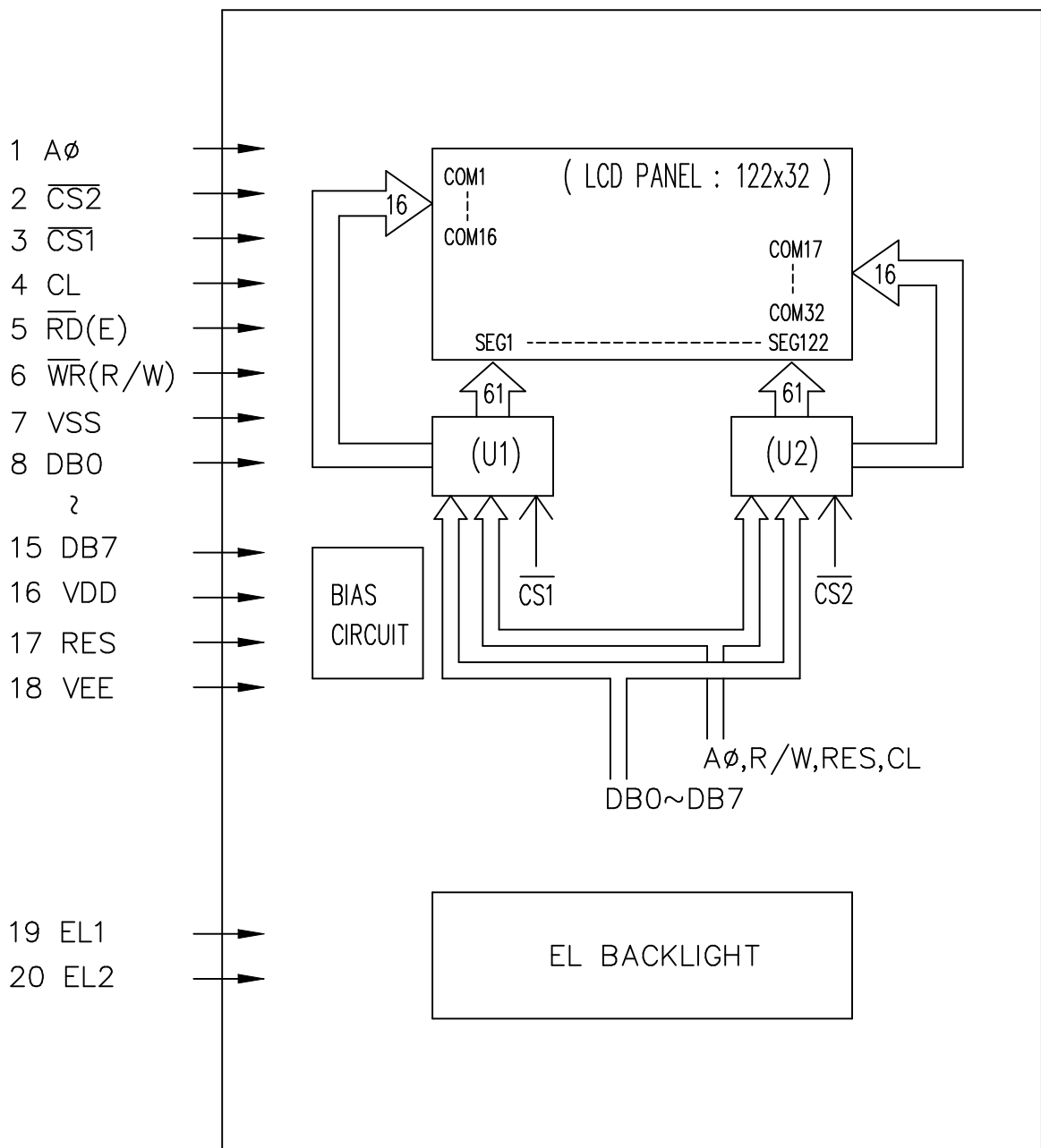
NOTE : NLC122A032 X X X X



**RoHS Compliance:** This project doesn't include any materials (6 materials) or includes less than specified quantities which are regulated by RoHS Compliance.

REV/DATE	R0/ 12.28.2005	R1/ 02.26.2007				BY C.Y.CHAN
----------	-------------------	-------------------	--	--	--	----------------

# 5. BLOCK DIAGRAM

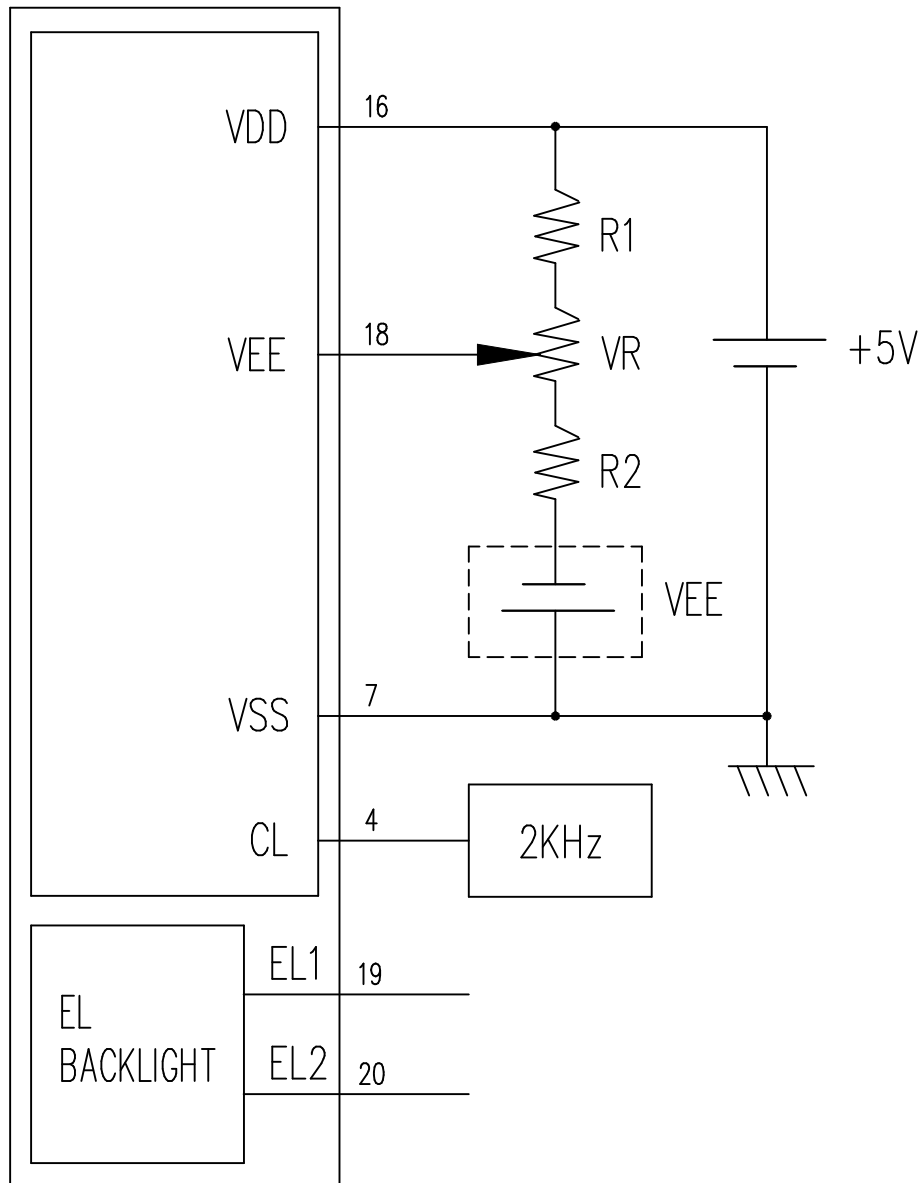


## 6. DEFINITION OF INTERFACE

PIN NO.	SYMBOL	FUNCTION
1	A $\phi$	L: INSTRUCTION H: DATA
2	$\overline{CS2}$	CHIP ENABLE ACTIVE "L"
3	$\overline{CS1}$	
4	CL	EXTERNAL CLOCK(2KHZ)
5	RD(E)	$\overline{RD}$ FOR 80 SERI ,E FOR 68 SERI
6	WR(R/W)	$\overline{WR}$ FOR 80 SERI ,R/W FOR 68 SERI
7	VSS	GROUND
8	DB0	DATA BUS LINE
9	DB1	
10	DB2	
11	DB3	DATA BUS LINE
12	DB4	
13	DB5	
14	DB6	
15	DB7	
16	VDD	POWER SUPPLY FOR LOGIC CIRCUIT
17	RES	L: 80 SERIEL H: 68 SERIEL
18	VEE	POWER SUPPLY FOR LCD
19	EL1	POWER SUPPLY FOR EL
20	EL2	

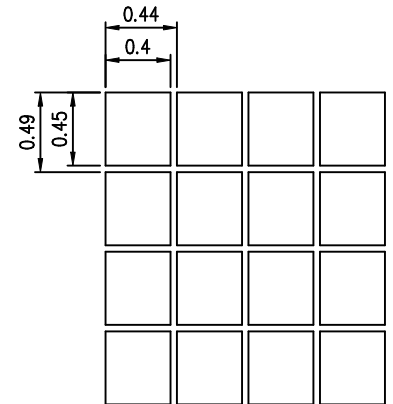
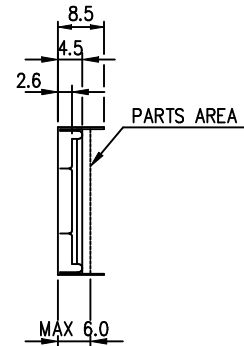
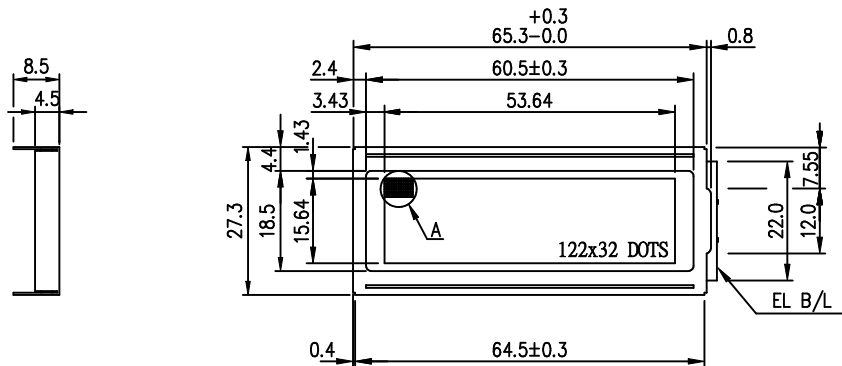
# 7. POWER SUPPLY

LCM



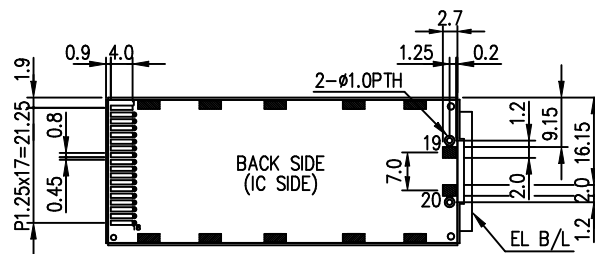
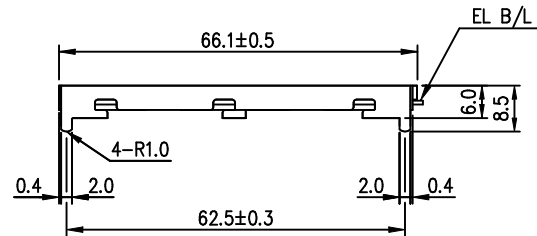
Note:

- (1)  $R1 + VR + R2 \approx 20K\Omega$
- (2)  $VEE = 5V$



A DETAIL  
S = 30:1

↑  
VIEW DIRECTION



NOTE:

1. RESOLUTION : 122x32 DOTS
2. EL B/L : WHITE
3. DRIVER IC : AX6120AA
4. FRAME MATERIAL : TINPLATE

INTERNAL PIN CONNECTION

PIN NO.	SYMBOL	FUNCTION	PIN NO.	SYMBOL	FUNCTION
1	A $\phi$	L: INSTRUCTION H: DATA	11	DB3	DATA BUS LINE
2	CS2	CHIP ENABLE ACTIVE "L"	12	DB4	
3	CS1		13	DB5	
4	CL	EXTERNAL CLOCK(2KHZ)	14	DB6	
5	RD(E)	RD FOR 80 SERI, E FOR 68 SERI	15	DB7	
6	WR(R/W)	WR FOR 80 SERI, R/W FOR 68 SERI	16	VDD	POWER SUPPLY FOR LOGIC CIRCUIT
7	VSS	GROUND	17	RES	L: 80 SERIEL H: 68 SERIEL
8	DB0	DATA BUS LINE	18	VEE	POWER SUPPLY FOR LCD
9	DB1		19	EL1	POWER SUPPLY FOR EL
10	DB2		20	EL2	

GENERAL TOLERANCE LIST

DIMENSION	TOLERANCE
$L \leq 6$	$\pm 0.25$ (mm)
$6 < L \leq 18$	$\pm 0.3$ (mm)
$18 < L \leq 50$	$\pm 0.4$ (mm)
$50 < L \leq 125$	$\pm 0.5$ (mm)
$125 < L$	$\pm 0.6$ (mm)

[www.admatec.eu](http://www.admatec.eu)

**adma**tec

REV. NO.	DESCRIPTION	DATE	DESIGN	CHECK	APPROVE	NAME	DATE	THIRD ANGLE P.		
						APPROVE				
						CHECK				
						DESIGN	CLOUDE	94.11.23	SCALE	UNIT
						DRAWN	CLOUDE	94.11.23	1/1	mm
						<b>NLC122A032DSA<sub>x</sub></b>				