

LCD Module

NLC128CG064CHCx

RoHS

(Status: August 2006, Rev. 0)



SPECIFICATION

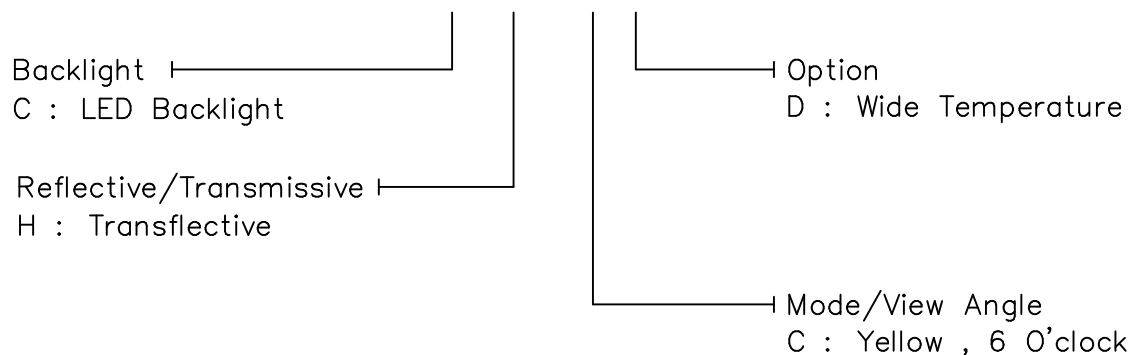
DATE : May. 08. 2006

SHEET NO. : 1/23

1. MECHANICAL DATA

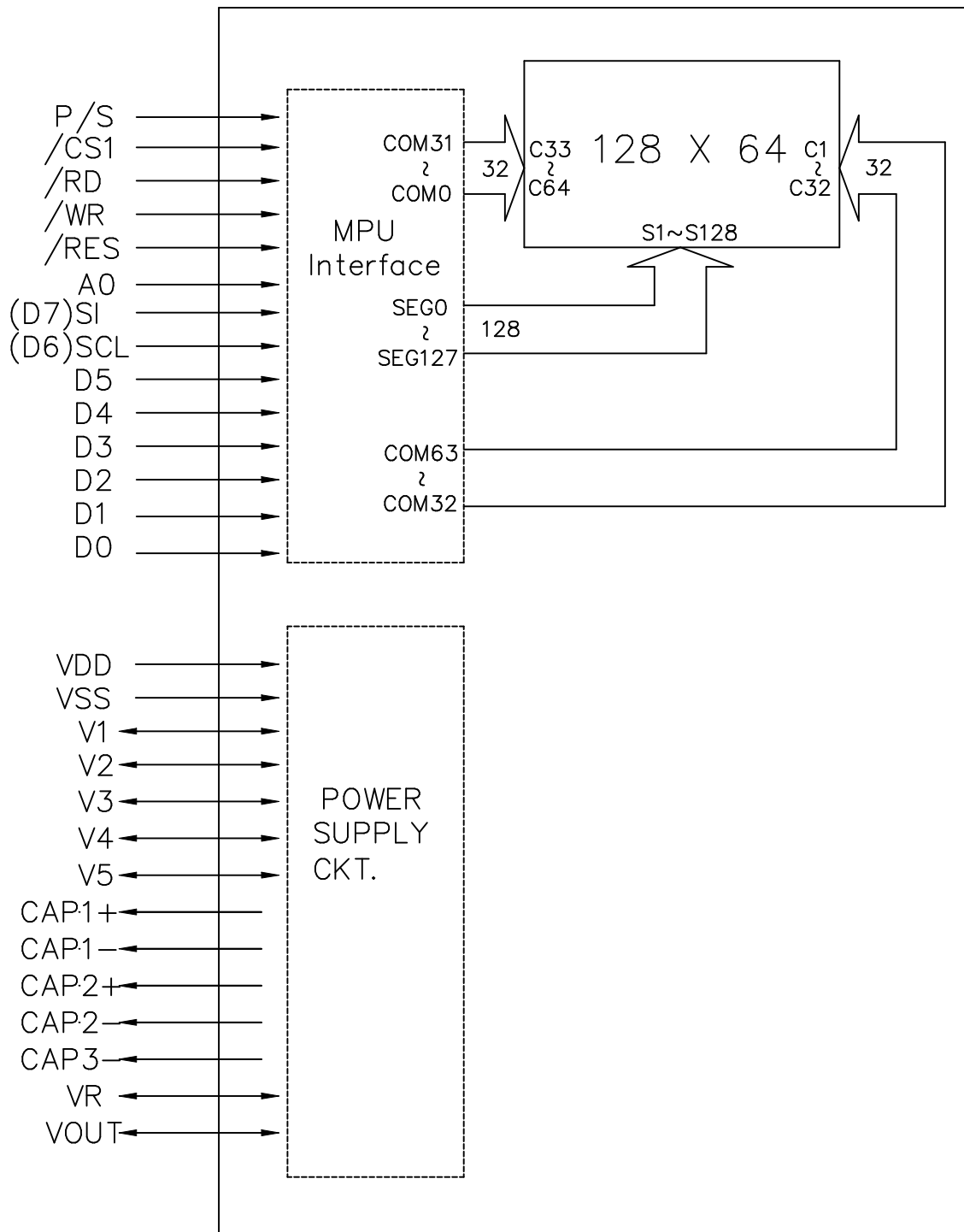
NO	ITEM	CONTENTS	UNIT
1	Product No.	NLC128CG064CHCx	-
2	Module Size	69.0 (W) x 58.5 (H) x 5.8 (D)	mm
3	Dot Size	0.41 (W) x 0.57 (H)	mm
4	Dot Pitch	0.44 (W) x 0.60 (H)	mm
5	Number of Dots	128 (W) x 64 (H)	Dot
6	Duty	1/65	-
7	LCD Display Mode	STN, Yellow Mode	-
8	Rear Polarizer	Transflective Type	-
9	Viewing Direction	6	O'clock
10	Backlight	LED	-
11	Controller	S1D15605D00B000 or Compatible	-
12	Touch Panel	Excluded	-
13	Weight	28 (Approx.)	g

Note : **NLC128CG064** x x x x



RoHS Compliance: This project doesn't include any materials (6 materials) or includes less than specified quantities which are regulated by RoHS Compliance.

5. BLOCK DIAGRAM



SPECIFICATION

DATE : May. 08. 2006

SHEET NO. : 9/23

6. INTERNAL PIN CONNECTION

CN1. LCD INTERFACE (FPC, PITCH 1.0)

PIN NO	SYMBOL	FUNCTION
1	P/S	HIGH: Parallel ; LOW: Serial data input
2	V _R	Output voltage regulator terminal. Provides the voltage between VDD and V5 through a resistive voltage divider
3	V5	This is a multi-level power supply for the liquid crystal drive
4	V4	
5	V3	
6	V2	
7	V1	
8	CAP2+	DC/DC Voltage converter
9	CAP2-	
10	CAP1-	
11	CAP1+	
12	CAP3-	
13	Vout	
14	V _{SS}	This is a 0V terminal connected to the system GND
15	VDD	Shared with the MPU power supply terminal VCC(+5V)
16	D7(SI)	Serial data input
17	D6(SCL)	Serial clock input
18	D5	Parallel data input
19	D4	
20	D3	
21	D2	
22	D1	
23	D0	
24	\overline{RD}	Fixed to either "H" or to "L"
25	\overline{WR}	Fixed to either "H" or to "L"
26	A0	"H" = Display data , "L" = Control data
27	/RES	Reset signal
28	/CS1	Chip select signal

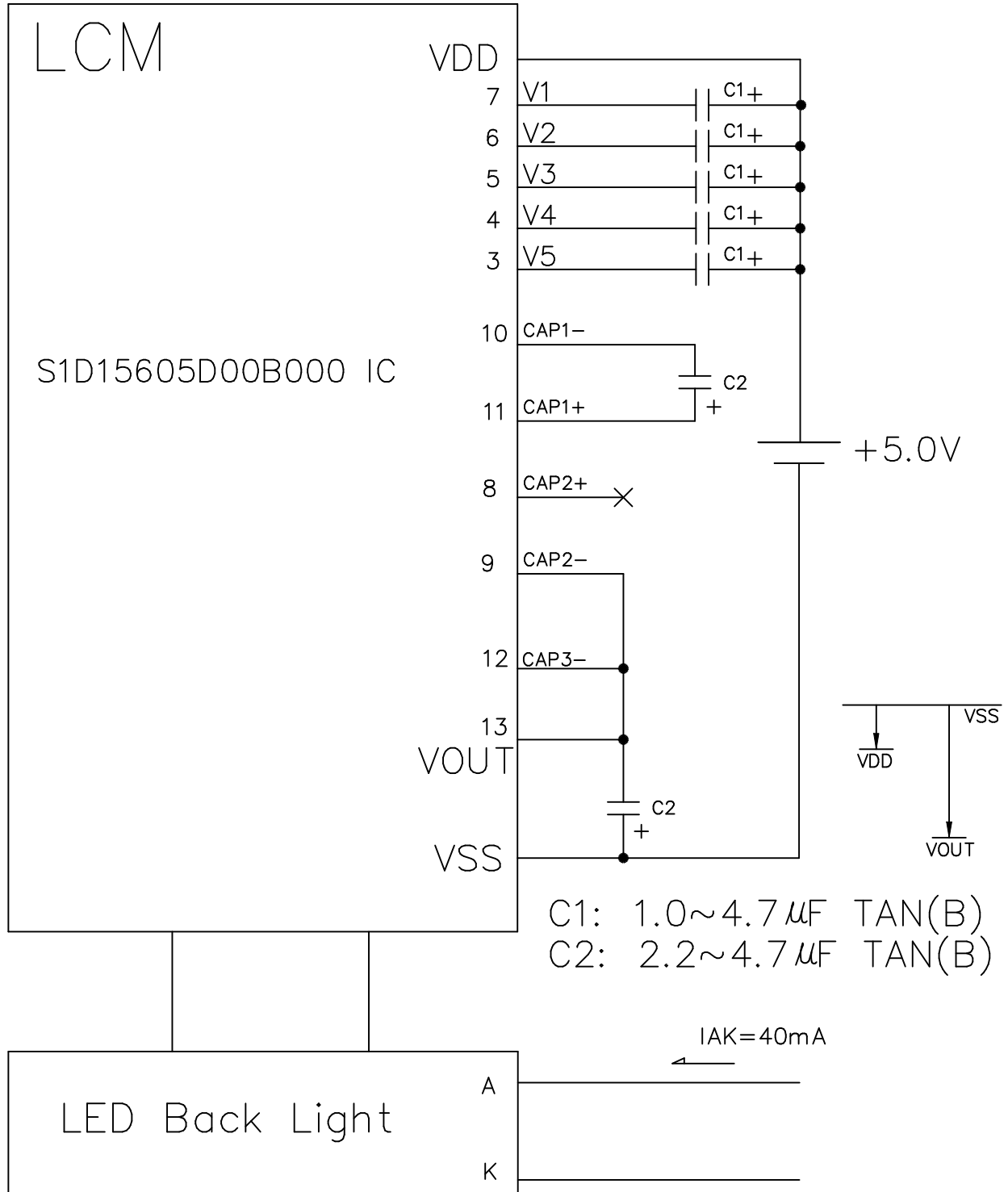
CN2. LED CONNECTOR, PHR-2 (JST) OR COMPATIBLE

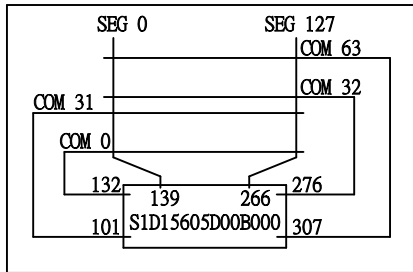
PIN NO	SYMBOL	FUNCTION
1	A	Power Supply Voltage LED Backlight (4.2V)
2	K	GND

REV/DATE

RO/
05.08.06'BY
W.R.HSU

7. POWER SUPPLY





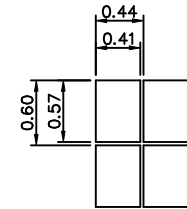
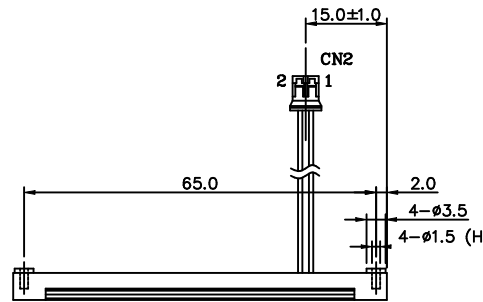
LAYOUT DIAGRAM

CN1. LCD INTERFACE (FPC, PITCH 1.0)

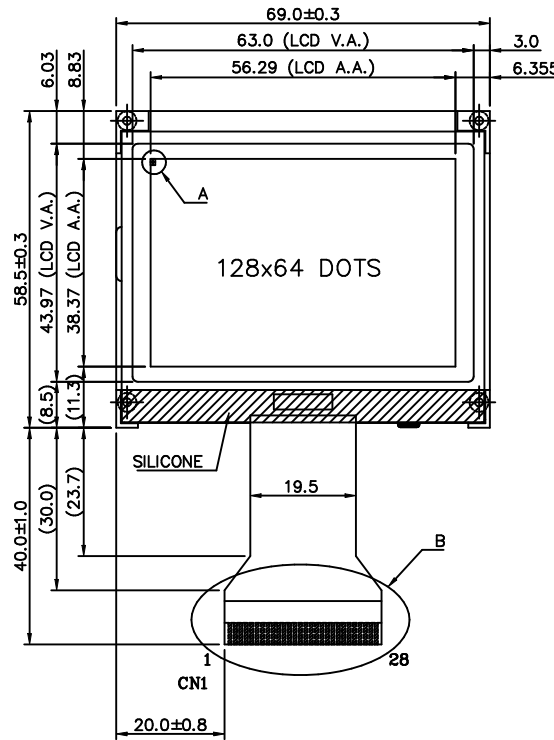
PIN NO	SYMBOL	FUNCTION
1	P/S	HIGH: Parallel ; LOW: Serial data input
2	V _R	Output voltage regulator terminal. Provides the voltage between VDD and V5 through a resistive voltage divider
3	V5	This is a multi-level power supply for the liquid crystal drive
4	V4	
5	V3	
6	V2	
7	V1	
8	CAP2+	
9	CAP2-	
10	CAP1-	
11	CAP1+	
12	CAP3-	
13	Vout	
14	V _{SS}	This is a 0V terminal connected to the system GND
15	VDD	Shared with the MPU power supply terminal VCC(+5V)
16	D7(SI)	Serial data input
17	D6(SCL)	Serial clock input
18	D5	Parallel data input
19	D4	
20	D3	
21	D2	
22	D1	
23	D0	Fixed to either "H" or to "L"
24	RD	
25	WR	Fixed to either "H" or to "L"
26	A0	"H" = Display data , "L" = Control data
27	/RES	Reset signal
28	/CS1	Chip select signal

CN2. LED CONNECTOR, PHR-2 (JST) OR COMPATIBLE

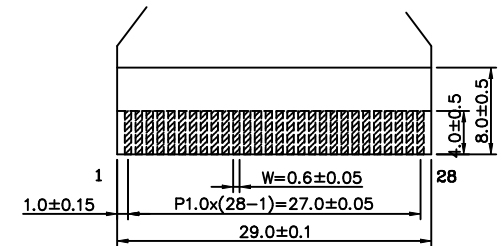
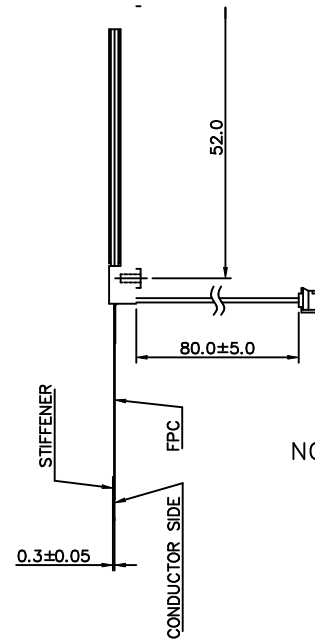
PIN NO	SYMBOL	FUNCTION
1	A	Power Supply Voltage LED Backlight (4.2V)
2	K	GND



DETAIL A
(S=20:1)



↑
VIEW DIRECTION



DETAIL B
(S=2:1)

NOTES:

- 1.RESOLUTION: 128X64 DOTS
- 2.BACKLIGHT: LED (YELLOW-GREEN)
- 3.DRIVER IC: S1D15605D00B000 or Compatible
- 4.GLASS THICKNESS: 0.7 mm
- 5.LED CONNECTOR: PHR-2 (JST) or Compatible

DIMENSION	TOLERANCE
L ≦ 6	±0.25 (mm)
6 < L ≦ 18	±0.3 (mm)
18 < L ≦ 50	±0.4 (mm)
50 < L ≦ 125	±0.5 (mm)
125 < L	±0.6 (mm)
ANGLE	±1° (DEG)

NLC128CG064CHCx

REV. NO.	DESCRIPTION	DATE	DESIGN	CHECK	APPROVE
△5					
△4					
△3					
△2					
△1					

APPROVE	CHECK	DESIGN	DRAWN	NAME	DATE	THIRD ANGLE P.	SCALE	UNIT
		C. B. LAN	C. B. LAN		95.02.13		1/1	mm