

LCD Module

RoHS

NLC128x064CHJ13GL1

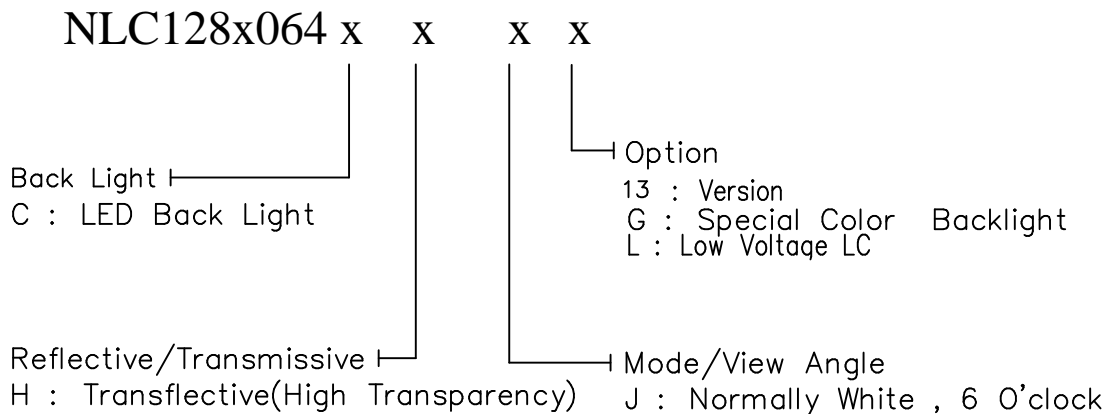
(Status: Januar 2007)



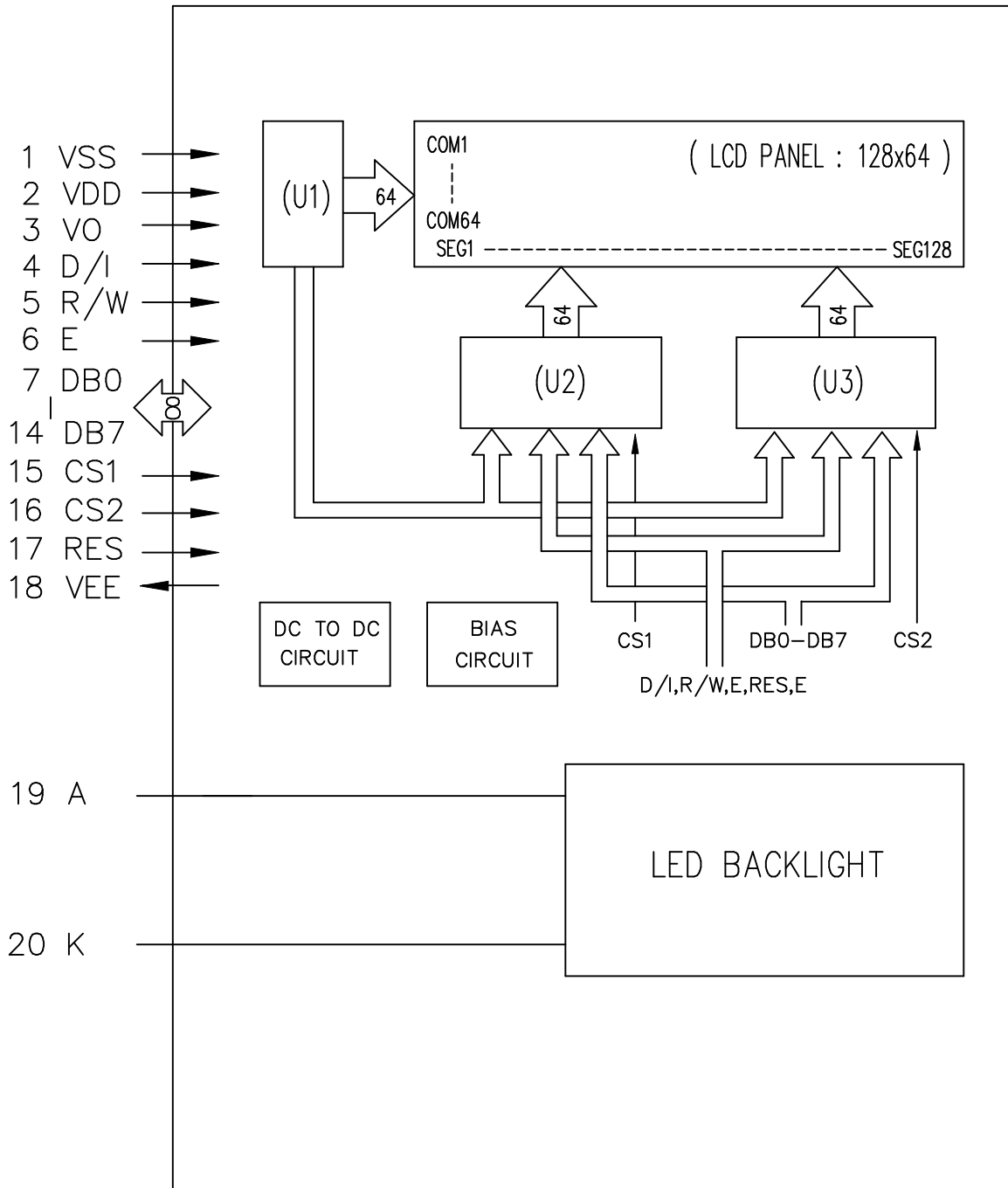
1. MECHANICAL DATA

NO	ITEM	CONTENTS	UNIT
1	Product No.	NLC128x064CHJ13GL1	-
2	Module Size	93.0 (W) x 70.0 (H) x Max.12.5 (D)	mm
3	Dot Size	0.48 (W) x 0.48 (H)	mm
4	Dot Pitch	0.52 (W) x 0.52 (H)	mm
5	Number of Dots	128 (W) x 64 (H)	Dot
6	Duty	1/64	-
7	LCD Display Mode	Black and White(Normal White/Positive Image)	-
8	Rear Polarizer	Transflective(High Transparency)	-
9	Viewing Direction	6	O'clock
10	Backlight	LED	-
11	Controller	NT7107 / NT7108 OR COMPATIBLE	-
12	DC/DC Converter	Included	-
13	Touch Panel	Excluded	-
14	Weight	75.0 (Approx.)	g

Note :



5. BLOCK DIAGRAM

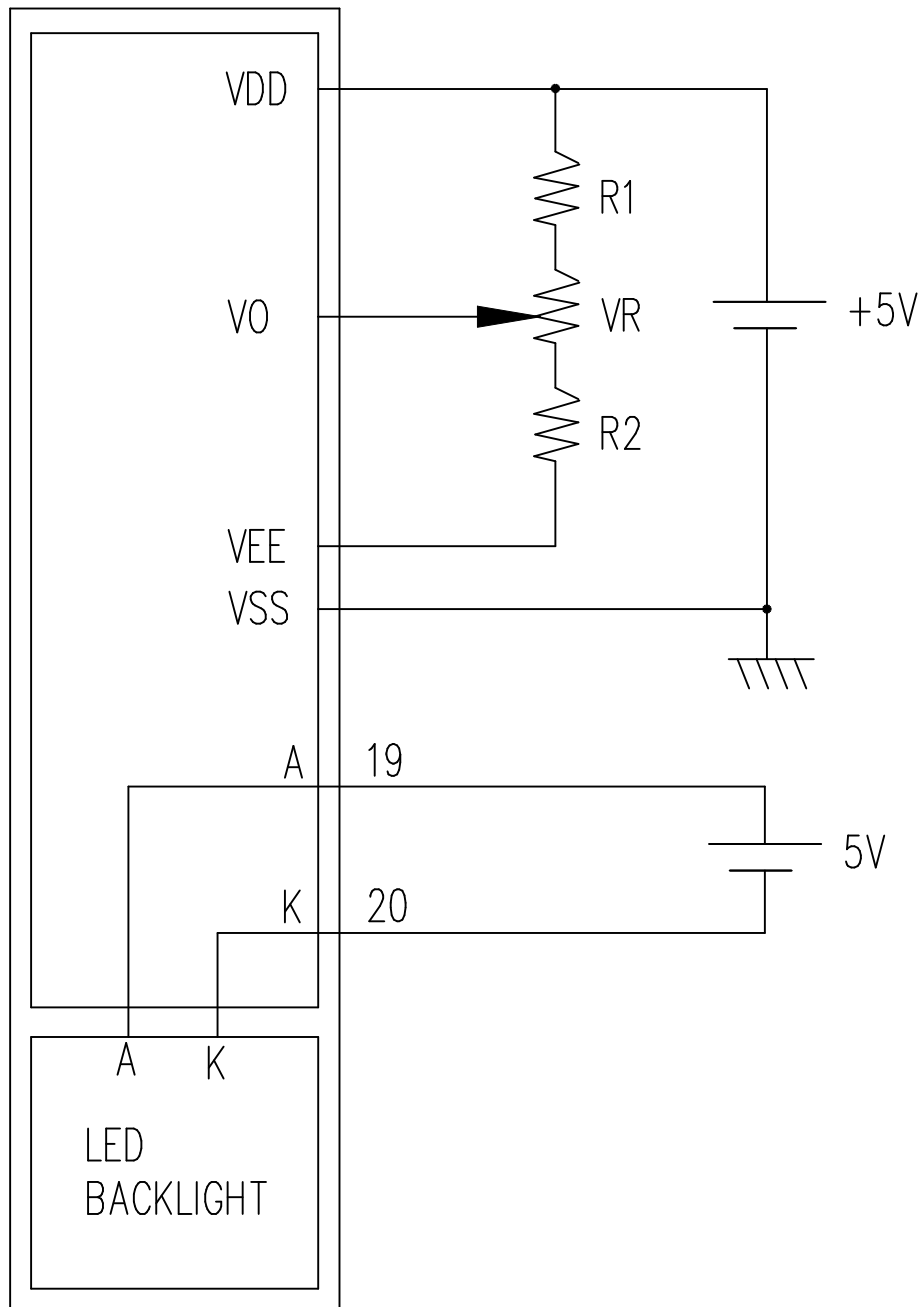


6. DEFINITION OF INTERFACE

Pin No.	Symbol	Level	Function
1	VSS	-	0V Power Supply
2	VDD	-	
3	V0	-	Operating Voltage for LCD Driving
4	D/I	H/L	H : Data Input L : Instruction Code Input
5	R/W	H/L	H : Data Read (LCM to MPU) L : Data Write (MPU to LCM)
6	E	H,H→L	Enable Signal
7	DB0	H/L	Data Bus Line
8	DB1		
9	DB2		
10	DB3	H/L	Data Bus Line
11	DB4		
12	DB5		
13	DB6		
14	DB7		
15	CS1	H	Chip Select for IC1
16	CS2	H	Chip Select for IC2
17	RES	L	Reset Active "L"
18	VEE	-	Negative Voltage Output
19	A	-	Anode for EL/LED Backlight
20	K	-	Cathode for EL/LED Backlight

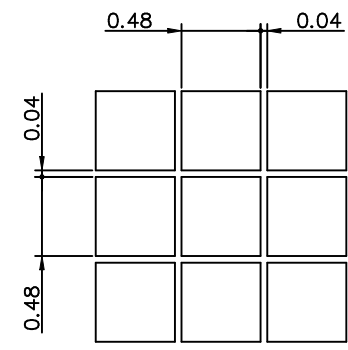
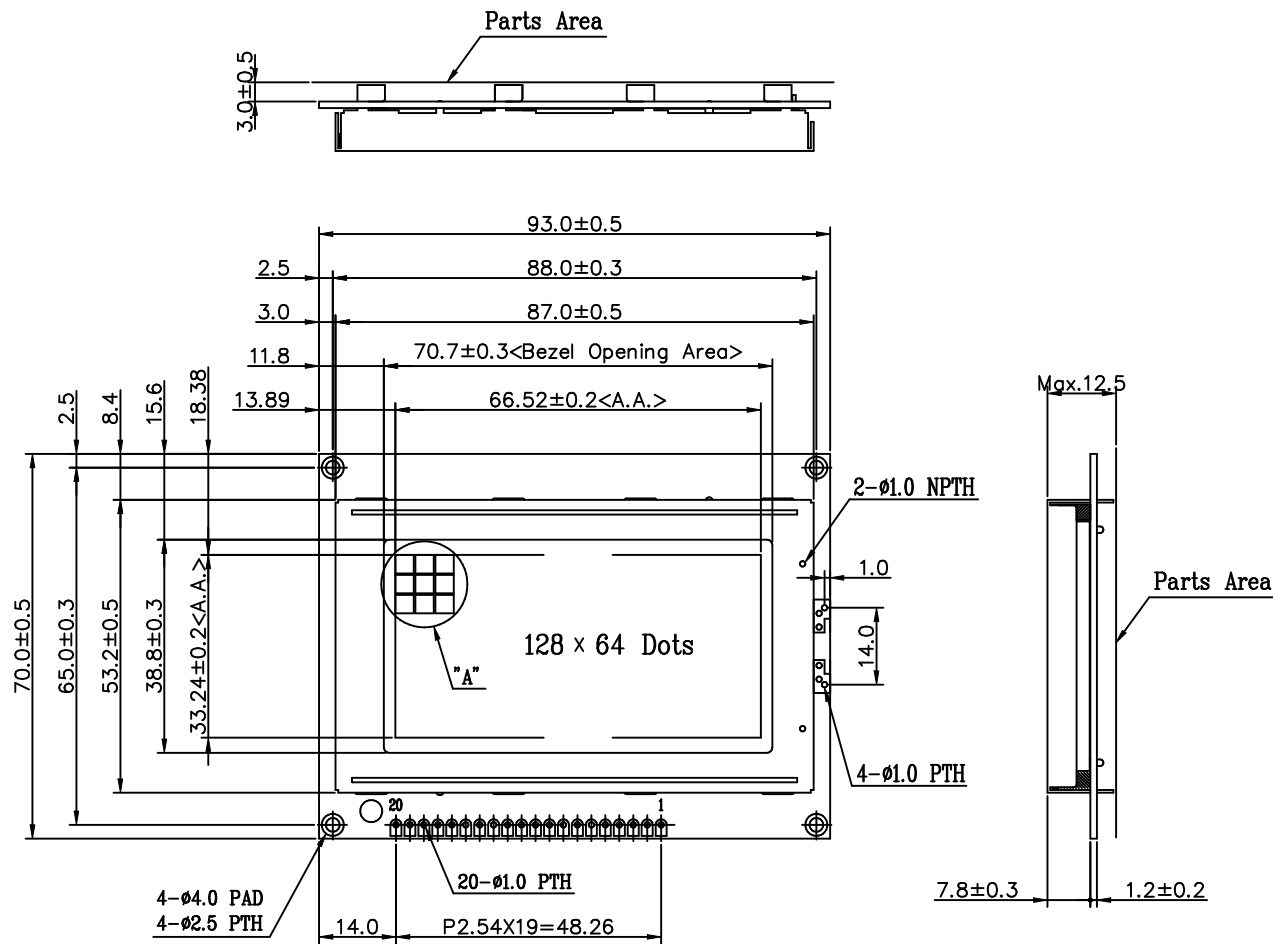
7. POWER SUPPLY

LCM

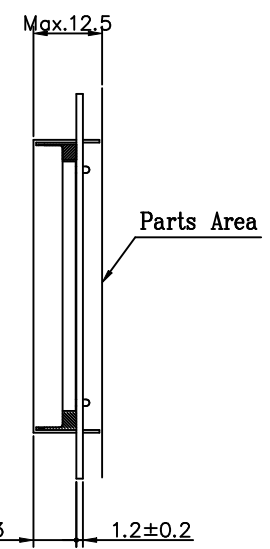


Note:

$$R1 + VR + R2 \approx 20K\Omega$$



Detail "A"
(Scale 30:1)



- Notes :
- 1.Resolution : 128 x 64 Dots
 - 2.Frame : SPCC (0.5 t)
 - 3.Backlight : LED (White)
 - 4.DC/DC Converter : Built-In

View Direction

Pin No.	Symbol	Function	Pin No.	Symbol	Function
1	VSS	Power Supply (0V)	10	DB3	Data Bus Line
2	VDD	Power Supply (+5V)	11	DB4	
3	VO	Operating Voltage for LCD Driving	12	DB5	
4	D/I	H : Data Input L : Instruction Code Input	13	DB6	
5	R/W	H:Data Read (LCM to MPU) L:Data Write (MPU to LCM)	14	DB7	
			15	CS1	Chip Select for IC1
6	E	Enable Signal	16	CS2	Chip Select for IC2
			17	RES	Reset Active "L"
7	DB0	Data Bus Line	18	VEE	Negative Voltage Output
8	DB1		19	A	Power Supply for LED Backlight
9	DB2		20	K	

GENERAL TOLERANCE LIST

DIMENSION	TOLERANCE
L ≤ 6	±0.25 (mm)
6 < L ≤ 18	±0.3 (mm)
18 < L ≤ 50	±0.4 (mm)
50 < L ≤ 125	±0.5 (mm)
125 < L	±0.6 (mm)
ANGLE	±1° (DEG)



REV. NO.	DESCRIPTION	DATE	DESIGN	CHECK	APPROVE

APPROVE	NAME	DATE	THIRD ANGLE P.	
	TONY CHOU	96.01.15		
CHECK	Y. C. Liu	96.01.09		
DESIGN	Campos Chen	96.01.05	SCALE	UNIT
DRAWN	Campos Chen	96.01.05	1/1	mm

NLC128x064CHJ13GL1