

# LCD Module

## NLC128x064DHJL

(Status: August 2006, Rev. 0)

# RoHS



# SPECIFICATION

DATE : AUGUST.14.2006

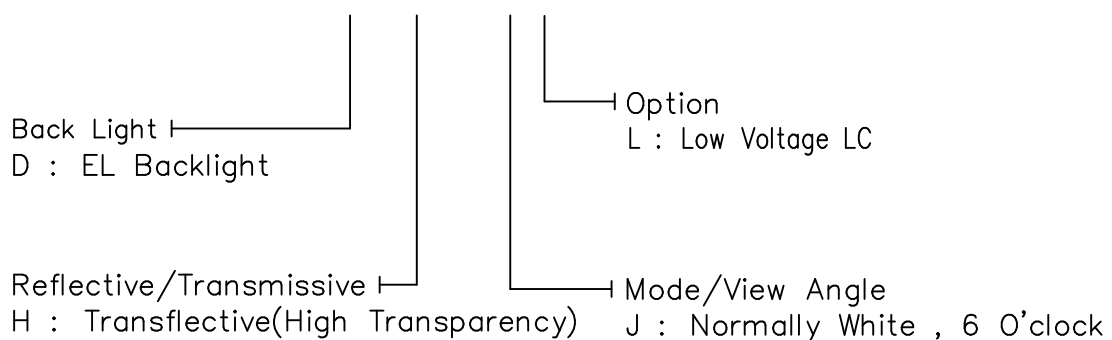
SHEET NO. : 1/23

## 1. MECHANICAL DATA

NO	ITEM	CONTENTS	UNIT
1	Product No.	NLC128x064DHJL	-
2	Module Size	93.0 (W) x 70.0 (H) x Max. 8.5 (D)	mm
3	Dot Size	0.48 (W) x 0.48 (H)	mm
4	Dot Pitch	0.52 (W) x 0.52 (H)	mm
5	Number of Dots	128 (W) x 64 (H)	Dot
6	Duty	1/64	-
7	LCD Display Mode	Black and White(Normal White/Positive Image)	-
8	Rear Polarizer	Transflective(High Transparency)	-
9	Viewing Direction	6	O'clock
10	Backlight	EL	-
11	Controller	NT7107 / NT7108 OR COMPATIBLE	-
12	DC/DC Converter	Included	-
13	Touch Panel	Excluded	-
14	Weight	60 (Approx.)	g

Note :

**NLC128x064 x x x x**



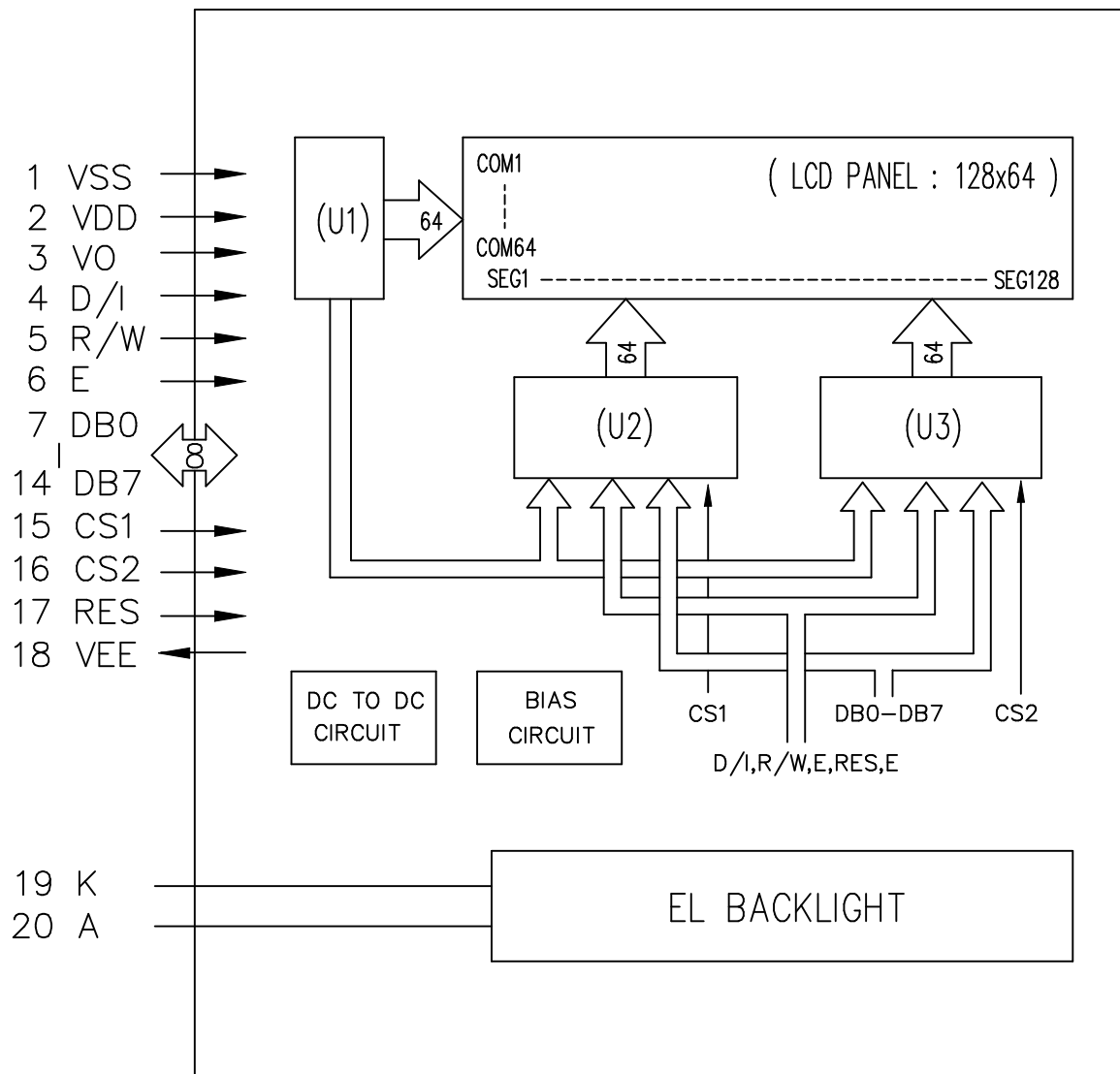
REV/DATE

RO/  
08.14.2006

BY

C.Y.CHAN

# 5. BLOCK DIAGRAM



## SPECIFICATION

DATE : AUGUST.14.2006

SHEET NO. : 9/23

## 6. DEFINITION OF INTERFACE

Pin No.	Symbol	Level	Function
1	VSS	-	0V Power Supply
2	VDD	-	
3	V0	-	Operating Voltage for LCD Driving
4	D/I	H/L	H : Data Input L : Instruction Code Input
5	R/W	H/L	H : Data Read (LCM to MPU) L : Data Write (MPU to LCM)
6	E	H,H→L	Enable Signal
7	DB0	H/L	Data Bus Line
8	DB1		
9	DB2		
10	DB3	H/L	Data Bus Line
11	DB4		
12	DB5		
13	DB6		
14	DB7		
15	CS1	H	Chip Select for IC1
16	CS2	H	Chip Select for IC2
17	RES	L	Reset Active "L"
18	VEE	-	Negative Voltage Output
19	K	-	Power supply for EL Backlight
20	A	-	Power supply for EL Backlight

REV/DATE

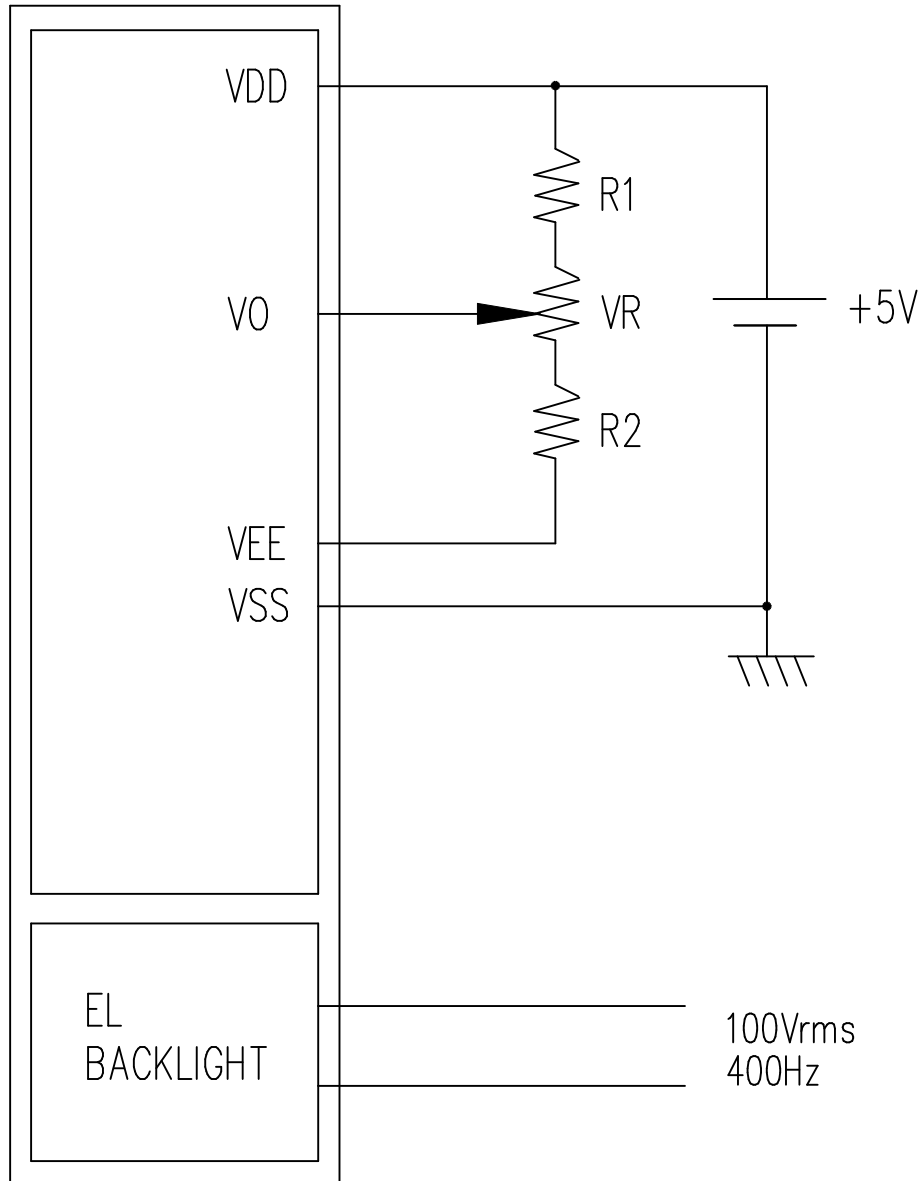
RO/  
08.14.2006

BY

C.Y.CHAN

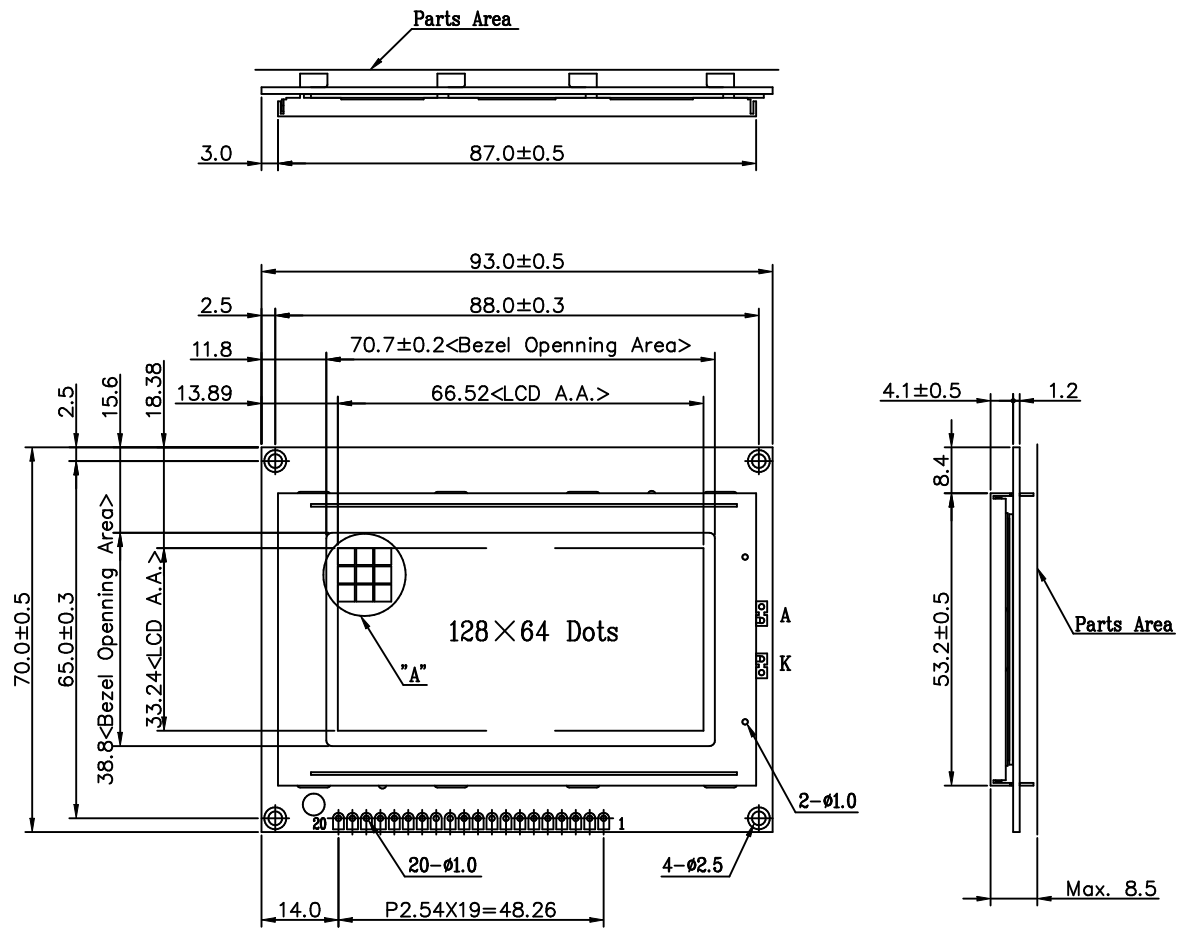
# 7. POWER SUPPLY

LCM

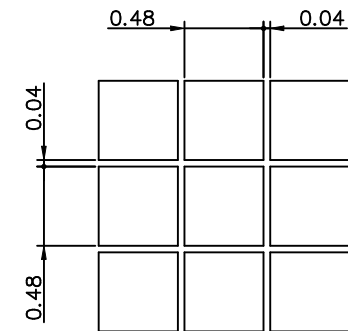


Note:

$$R1 + VR + R2 \approx 20K\Omega$$



View Direction



Detail "A"  
(Scale 30:1)

Notes :

- 1.Resolution : 128×64 Dots
- 2.Frame : SPCC (Black) , 0.5 t
- 3.DC/DC Converter : Built IN
- 4.Backlight : EL (White)

GENERAL TOLERANCE LIST

DIMENSION	TOLERANCE
$L \leq 6$	$\pm 0.25$ (mm)
$6 < L \leq 18$	$\pm 0.3$ (mm)
$18 < L \leq 50$	$\pm 0.4$ (mm)
$50 < L \leq 125$	$\pm 0.5$ (mm)
$125 < L$	$\pm 0.6$ (mm)
ANGLE	$\pm 1^\circ$ (DEG)



Pin No.	Symbol	Level	Function	Pin No.	Symbol	Level	Function
1	VSS	-	0V	11	DB4	H/L	Data Bus Line
2	VDD	-	+5V	12	DB5		
3	VO	-	Operating Voltage for LCD Driving	13	DB6		
4	D/I	H/L	H:Data Input L:Instruction Code Input	14	DB7		
5	R/W	H/L	H:Data Read ; L:Data Write	15	CS1	H	Chip Select for IC1
6	E	H,H→L	Enable Signal	16	CS2	H	Chip Select for IC2
7	DB0	H/L	Data Bus Line	17	RES	L	Reset Active "L"
8	DB1			18	VEE	-	Negative Voltage Output
9	DB2			19	K	-	Power supply for EL Backlight
10	DB3			20	A	-	Power supply for EL Backlight

REV. NO.	DESCRIPTION	DATE	DESIGN	CHECK	APPROVE

APPROVE	NAME	DATE	THIRD ANGLE P.
CHECK			
DESIGN	Campos Chen	95.08.01	SCALE UNIT
DRAWN	Campos Chen	95.08.01	1/1 mm
NLC128x064DHJL			