

# LCD Module

## NLC240P064BTE35

# RoHS

(Status: Dezember 2008, Rev. 1)



SPECIFICATION

DATE : Dec. 09. 2005

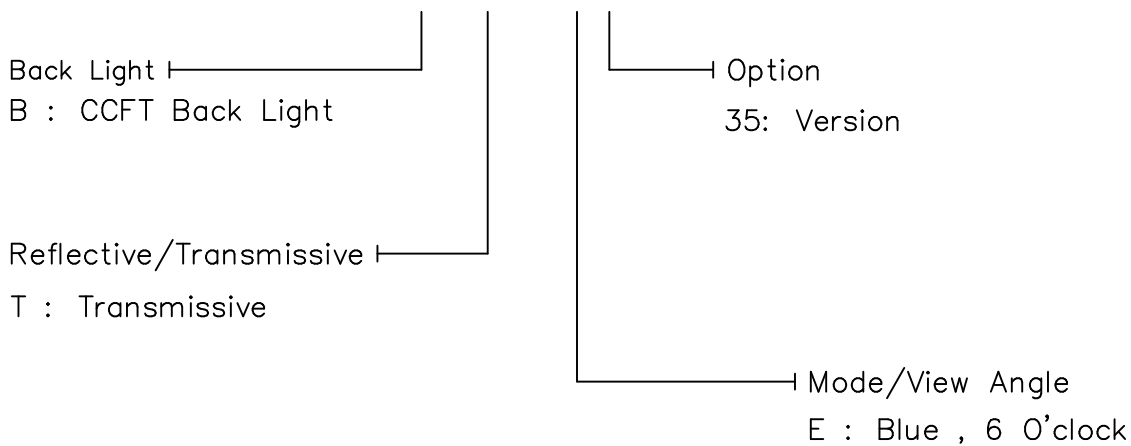
SHEET NO. : 1/23

# 1. MECHANICAL DATA

NO	ITEM	CONTENTS	UNIT
1	Product No.	<b>NLC240P064BTE35</b>	-
2	Module Size	190.0(W) X 65.0(H) X MAX13.8(D)	mm
3	Dot Size	0.49 (W) x 0.49 (H)	mm
4	Dot Pitch	0.53 (W) x 0.53 (H)	mm
5	Number of Dots	240 (W) x 64 (H) Dots	Character
6	Duty	1/64	-
7	LCD Display Mode	STN:Blue Mode	-
8	Rear Polarizer	Transmissive Type	-
9	Viewing Direction	6	O'clock
10	Backlight	CCFL	-
11	Controller	T6963CFG-0101(C)	-
12	DC/DC Converter	Excluded	-
13	Weight	173 (approx.)	g

Note :

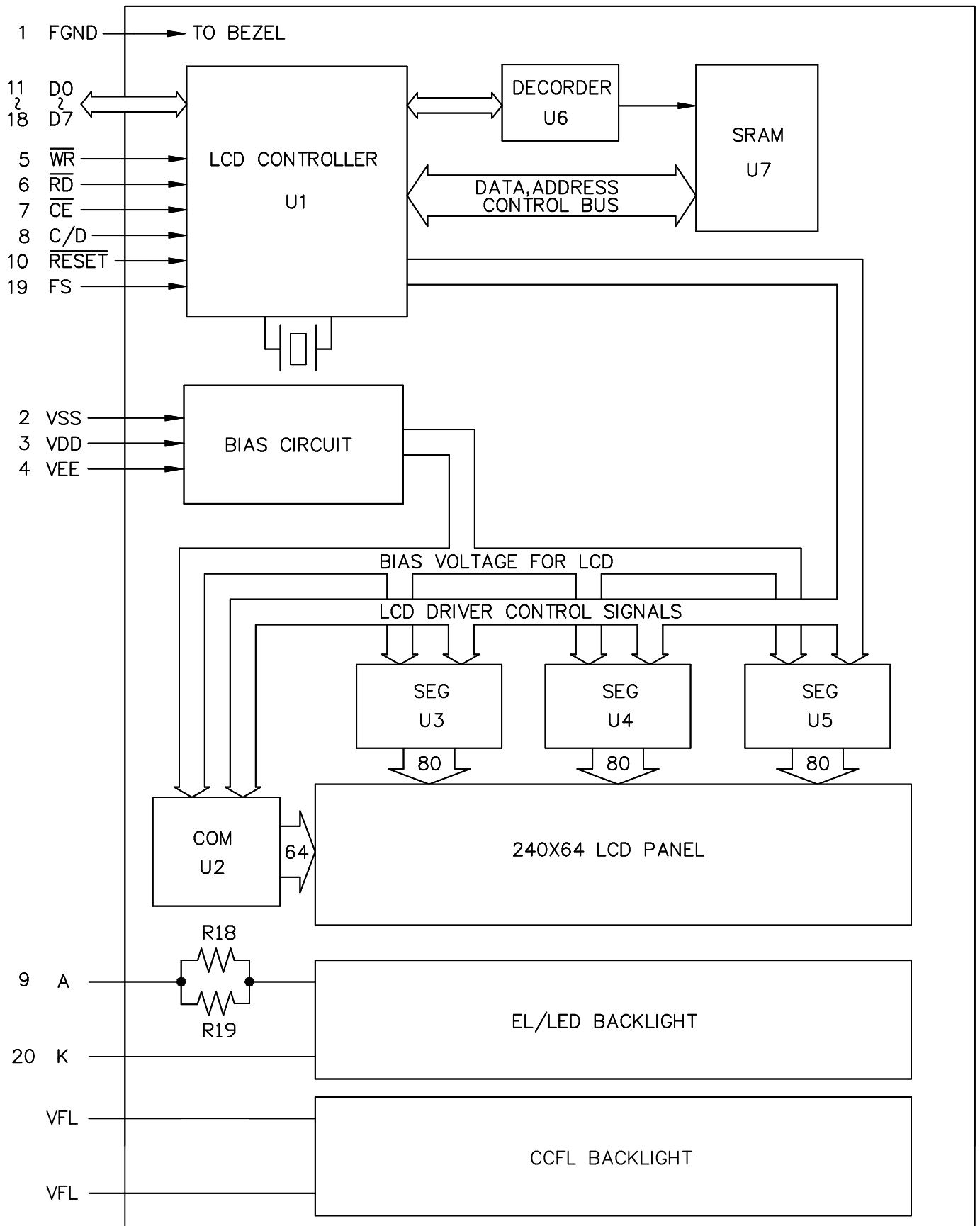
**NLC240P064 x x x x**



**RoHS Compliance.** guarantees that this project doesn't include any materials (6 materials) or includes less than specified quantities which are regulated by RoHS Compliance.

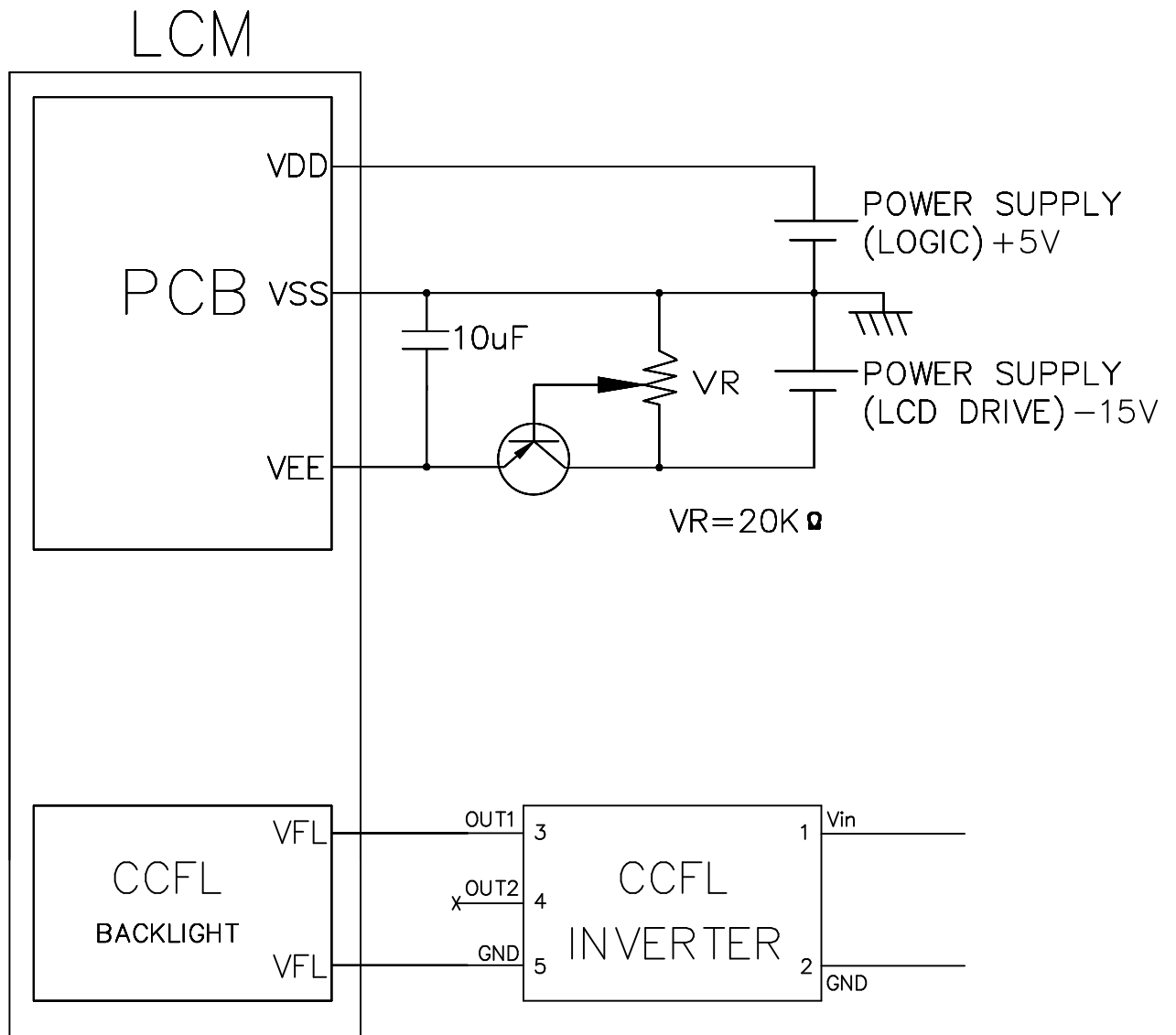
REV/DATE	R0/ 12.09.05'					BY W.R.HSU
----------	------------------	--	--	--	--	---------------

# 5. BLOCK DIAGRAM

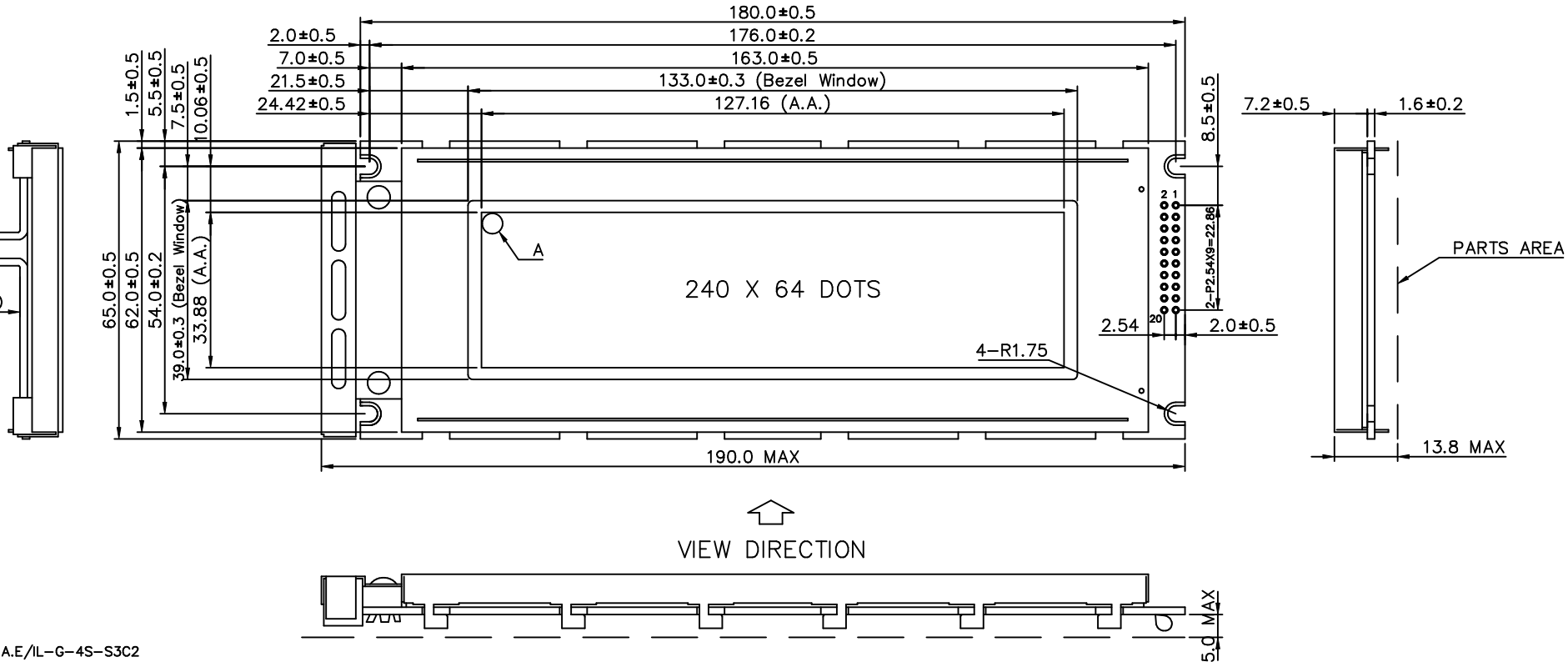




# 7. POWER SUPPLY



Recommended Inverter : CXA-L10L (TDK)



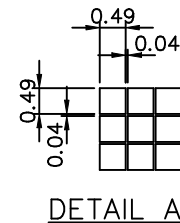
CCFL Connector : J.A.E./L-G-4S-S3C2

PIN NO	SYMBOL	FUNCTION
1	VFL	POWER SUPPLY FOR CCFL DRIVE
2	NC	-
3	NC	-
4	VFL	POWER SUPPLY FOR CCFL DRIVE

PIN NO	SYMBOL	FUNCTION	PIN NO	SYMBOL	FUNCTION
1	FGND	FRAME GROUND (0V)	11	D0	DATA INPUT/OUTPUT, LSB
2	VSS	GROUND	12	D1	DATA INPUT/OUTPUT
3	VDD	POWER SUPPLY FOR LOGIC (+5V)	13	D2	DATA INPUT/OUTPUT
4	VEE	POWER SUPPLY FOR LC DRIVING	14	D3	DATA INPUT/OUTPUT
5	$\overline{WR}$	DATA WRITE	15	D4	DATA INPUT/OUTPUT
6	$\overline{RD}$	DATA READ	16	D5	DATA INPUT/OUTPUT
7	$\overline{CE}$	CHIP ENABLE	17	D6	DATA INPUT/OUTPUT
8	C/D	$\overline{WR}$ ="L",C/D="H" :COMMAND WRITE $\overline{WR}$ ="L",C/D="L" :DATA WRITE $\overline{RD}$ ="L",C/D="H" :STATUS READ $\overline{RD}$ ="L",C/D="L" :DATA READ	18	D7	DATA INPUT/OUTPUT, MSB
9	NC	NO CONNECT	19	FS	FONT SELECT CONNECT TO VDD :6X8 PIXELS/CHARACTER CONNECT TO Vss :8X8 PIXELS/CHARACTER
10	$\overline{RESET}$	CONTROLLER RESET	20	NC	NO CONNECT

NOTES:

- Resolution : 240 x 64 Dots
- Controller : T6963C (TOSHIBA)
- DC/DC Converter : Without



DETAIL A

GENERAL TOLERANCE LIST

DIMENSION	TOLERANCE
L ≤ 6	±0.25 (mm)
6 < L ≤ 18	±0.3 (mm)
18 < L ≤ 50	±0.4 (mm)
50 < L ≤ 125	±0.5 (mm)
125 < L	±0.6 (mm)
ANGLE	±1° (DEG)



REV. NO.	DESCRIPTION	DATE	DESIGN	CHECK	APPROVE	NAME	DATE	THIRD ANGLE P.
						APPROVE		
						CHECK		
						DESIGN	CLOUDE 94.11.24	SCALE
						DRAWN	CLOUDE 94.11.24	UNIT
						NLC240P064BTE35		
SHEET NO.: 23/23								