

LCD Module

NLC240P064BTHC35

RoHS

(Status: Dezember 2008, Rev-. 1)



SPECIFICATION

DATE : May. 05. 2006

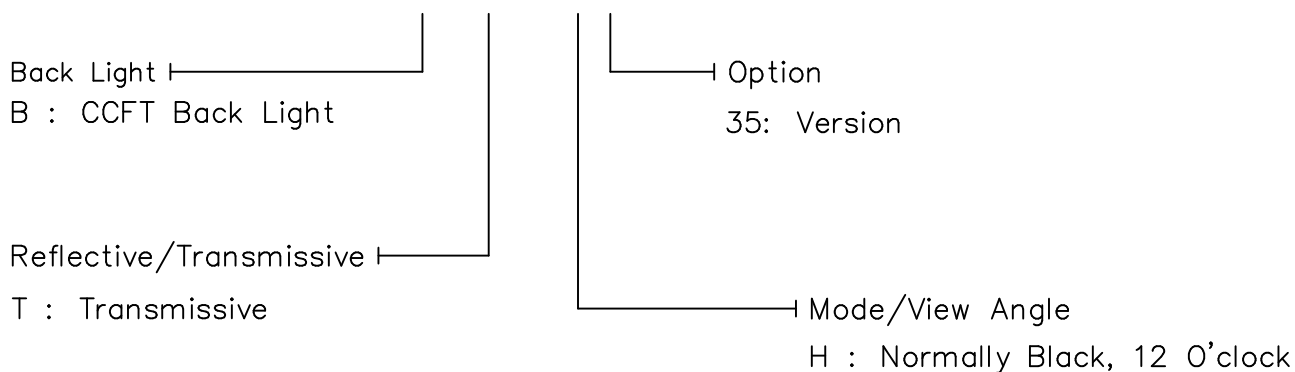
SHEET NO. : 1/23

1. MECHANICAL DATA

NO	ITEM	CONTENTS	UNIT
1	Product No.	NLC240P064BTHC35	—
2	Module Size	190.0(W) X 65.0(H) X MAX13.8(D)	mm
3	Dot Size	0.49 (W) x 0.49 (H)	mm
4	Dot Pitch	0.53 (W) x 0.53 (H)	mm
5	Number of Dots	240 (W) x 64 (H) Dots	Character
6	Duty	1/64	—
7	LCD Display Mode	FSTN:Black and White(Normally Black/Negative Image)	—
8	Rear Polarizer	Transmissive Type	—
9	Viewing Direction	12	O'clock
10	Backlight	CCFL	—
11	Controller	T6963CFG-0101(C)	—
12	DC/DC Converter	Excluded	—
13	Weight	173 (approx.)	g

Note :

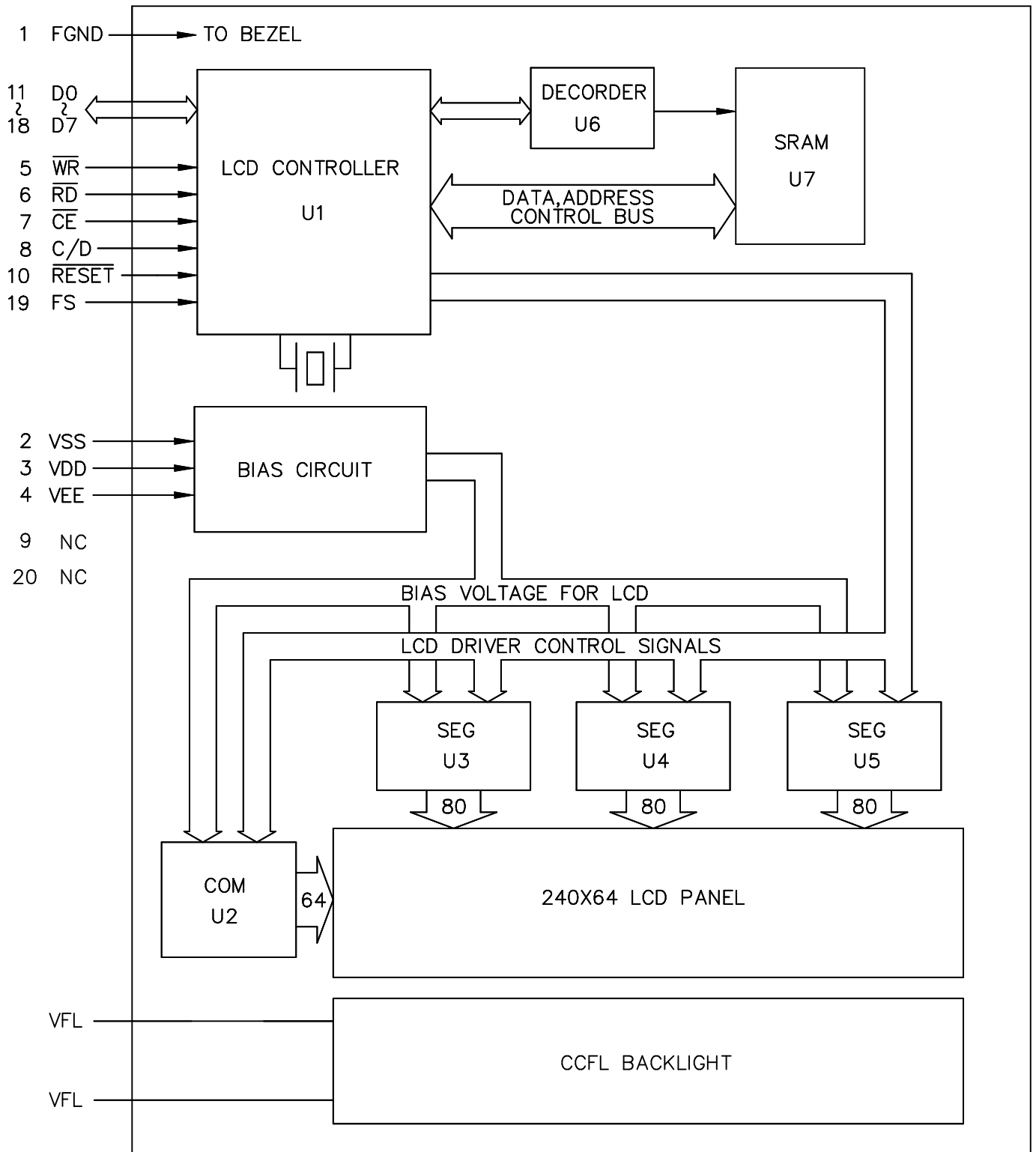
NLC240P064 x x xx



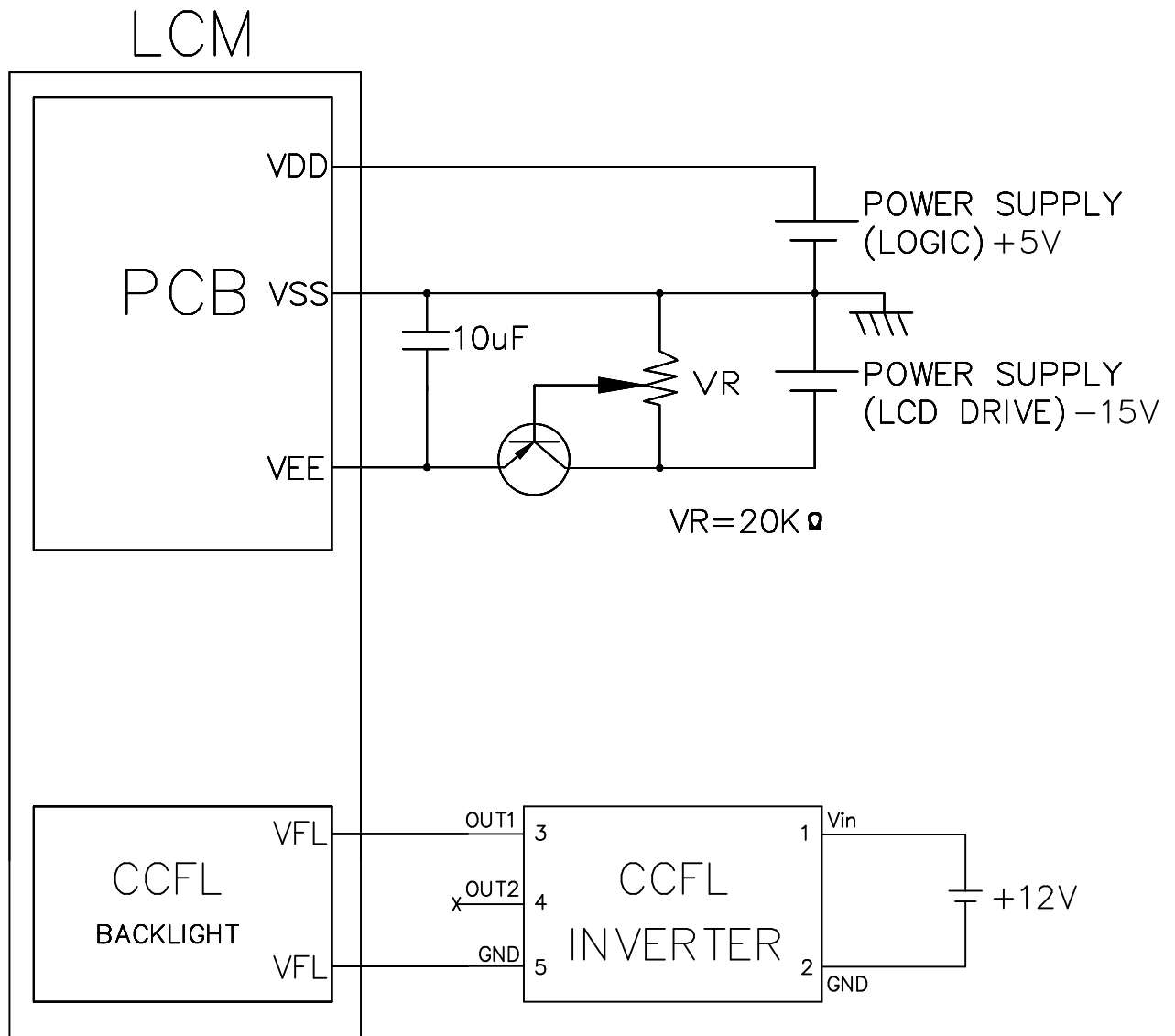
RoHS Compliance. guarantees that this project doesn't include any materials (6 materials) or includes less than specified quantities which are regulated by RoHS Compliance.

REV/DATE	R0/ 05.05.06'					BY W.R.HSU
----------	------------------	--	--	--	--	---------------

5. BLOCK DIAGRAM

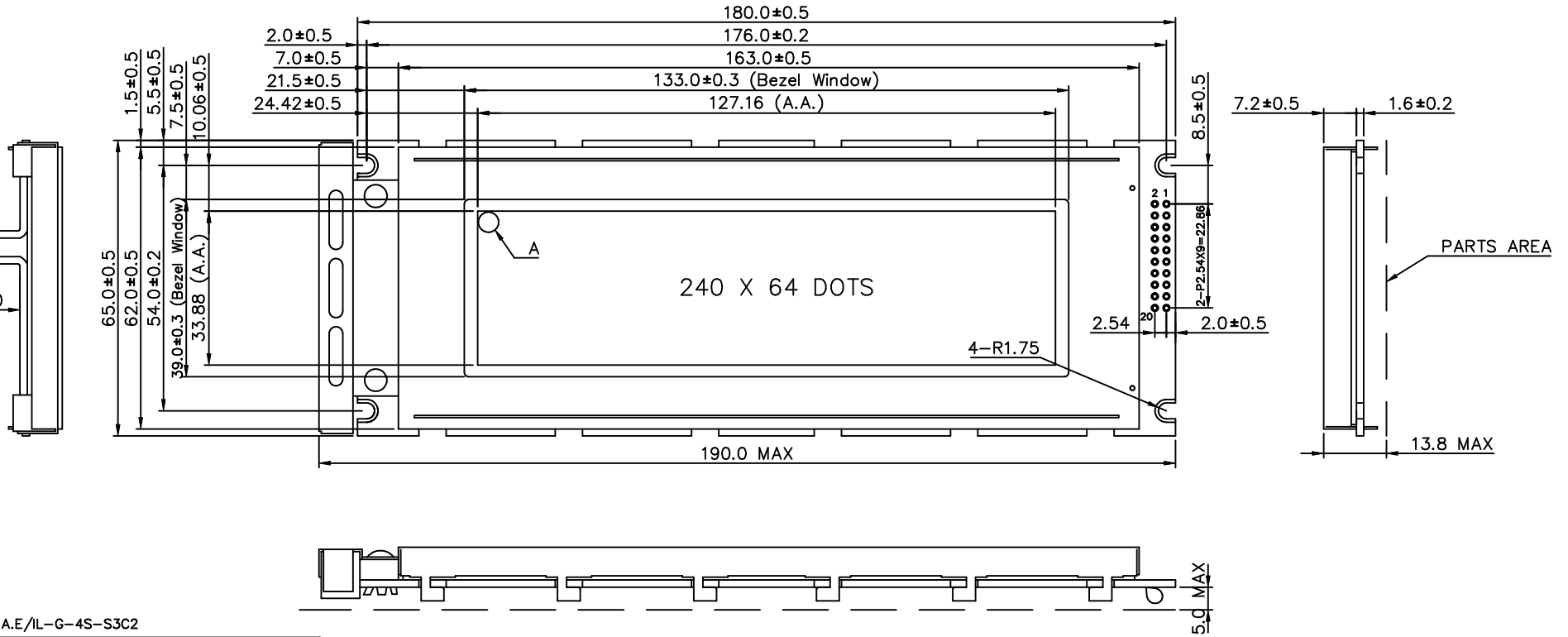


7. POWER SUPPLY



Recommended Inverter : CXA-L10L (TDK)

VIEW DIRECTION



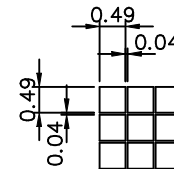
CCFL Connector : J.A.E/IL-G-4S-S3C2

PIN NO	SYMBOL	FUNCTION
1	VFL	POWER SUPPLY FOR CCFL DRIVE
2	NC	-
3	NC	-
4	VFL	POWER SUPPLY FOR CCFL DRIVE

PIN NO	SYMBOL	FUNCTION	PIN NO	SYMBOL	FUNCTION
1	FGND	FRAME GROUND (0V)	11	D0	DATA INPUT/OUTPUT, LSB
2	VSS	GROUND	12	D1	DATA INPUT/OUTPUT
3	VDD	POWER SUPPLY FOR LOGIC (+5V)	13	D2	DATA INPUT/OUTPUT
4	VEE	POWER SUPPLY FOR LC DRIVING	14	D3	DATA INPUT/OUTPUT
5	WR	DATA WRITE	15	D4	DATA INPUT/OUTPUT
6	RD	DATA READ	16	D5	DATA INPUT/OUTPUT
7	CE	CHIP ENABLE	17	D6	DATA INPUT/OUTPUT
8	C/D	WR="L",C/D="H" :COMMAND WRITE WR="L",C/D="L" :DATA WRITE RD="L",C/D="H" :STATUS READ RD="L",C/D="L" :DATA READ	18	D7	DATA INPUT/OUTPUT, MSB
9	NC	NO CONNECT	19	FS	FONT SELECT CONNECT TO VDD :6X8 PIXELS/CHARACTER CONNECT TO Vss :8X8 PIXELS/CHARACTER
10	RESET	CONTROLLER RESET	20	NC	NO CONNECT

Notes:

- 1.Resolution : 240 x 64 Dots
- 2.Backlight : CCFL (White)
- 3.Frame Material : SPTe (0.5 mmt)
- 4.Touch Panel : Without
- 5.Controller : T6963CFG-0101 (TOSHIBA) or Compatible



DETAIL A

GENERAL TOLERANCE LIST

DIMENSION	TOLERANCE
L ≤ 6	±0.25 (mm)
6 < L ≤ 18	±0.3 (mm)
18 < L ≤ 50	±0.4 (mm)
50 < L ≤ 125	±0.5 (mm)
125 < L	±0.6 (mm)
ANGLE	±1° (DEG)



REV. NO.	DESCRIPTION	DATE	DESIGN	CHECK	APPROVE	NAME	DATE	THIRD ANGLE P.	
						APPROVE			
						CHECK			
						DESIGN	CLOUDE 95.03.20		SCALE
						DRAWN	CLOUDE 95.03.20		UNIT
									1/1 mm
						NLC240P064BTHC35			