



**admatec**

The better Display Solution

# LCD Module

## T043C004800272T2AG5B16

# DATA SHEET

## Product specification V 1.0

### Approval of Specification

	Approved by	Date
<b>admatec</b>	H. Ghaybi	2016-02-18
<b>Customer</b>		

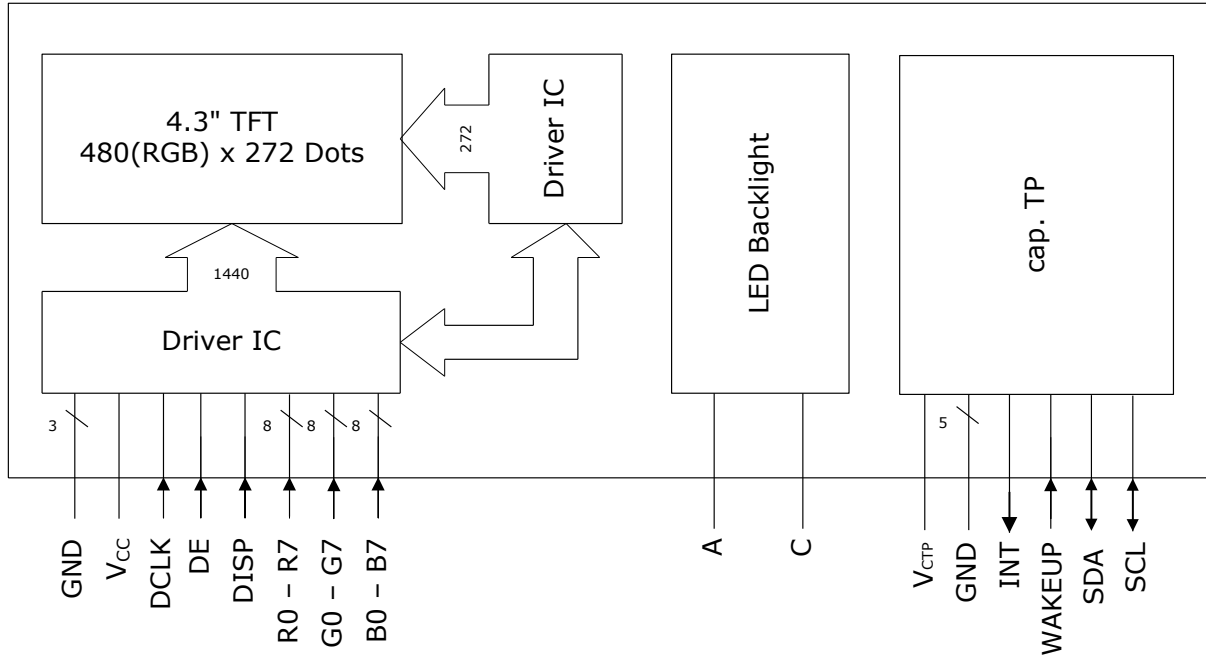
This product complies to EU directive 2002/95/EC (RoHS) of January 27<sup>th</sup>, 2003.

# 1 General data

**Table 1.1: General data**

No.	Item	Content	
1.	module size	114.0 mm (W) x 78.0 mm (H) x 5.7 mm (T)	
2.	visible area	96.0 mm (W) * 54.96 mm (H)	
3.	active area	95.04 mm (W) * 53.86 mm (H)	
4.	dot pitch	0.066 mm (W) * 0.198 mm (H)	
5.	number of dots	480 * 3(RGB) (W) * 272 (H)	
6.	LCD type	TFT color 16.7M, transmissive	
7.	backlight	LED white	
8.	controller	NT39017C or ILI6480B	
9.	interface	24-bit RGB	
10.	touch panel	type	capacitive (CTP)
		material	glass/glass
		controller	FT5306
11.	weight	89 g (approx.)	

## 5 Block diagram



**Figure 5.1 : Block diagram of T043C004800272T2AG5B16**

## 6 Interface description

### 6.1 Interface of LCD

**Table 6.1: LCD interface description**

Symbol	Pin no.	IO	Function
C	1	PWR	power for LED backlight cathode
A	2	PWR	power for LED backlight anode
GND	3	PWR	ground
V <sub>CC</sub>	4	PWR	power supply for logic
R0	5	I	red data
R1	6	I	
R2	7	I	
R3	8	I	
R4	9	I	
R5	10	I	
R6	11	I	
R7	12	I	
G0	13	I	green data
G1	14	I	
G2	15	I	
G3	16	I	
G4	17	I	
G5	18	I	
G6	19	I	
G7	20	I	
B0	21	I	blue data
B1	22	I	
B2	23	I	
B3	24	I	
B4	25	I	
B5	26	I	
B6	27	I	
B7	28	I	
GND	29	PWR	ground
DCLK	30	I	pixel clock
DISP	31	I	display on/ off
NC	32	--	not connect
NC	33	--	
DE	34	I	data enable
NC	35	--	not connect
GND	36	PWR	ground
NC	37	--	not connect
NC	38	--	
NC	39	--	
NC	40	--	

FPC: 40 pin, 0.5 mm pitch

## 6.2 Interface of CTP

**Table 6.2: CTP interface description**

Symbol	Pin no.	IO	Function
GND	1	PWR	ground
GND	2	PWR	
GND	3	PWR	
GND	4	PWR	
GND	5	PWR	
V <sub>CTP</sub>	6	PWR	power supply for logic
INT	7	O	external interrupt to the host
WAKEUP	8	I	external interrupt from the host
SCL	9	I/O	serial clock
SDA	10	I/O	serial data

FPC: 10 pin, 0.5 mm pitch

# 7 Power supply

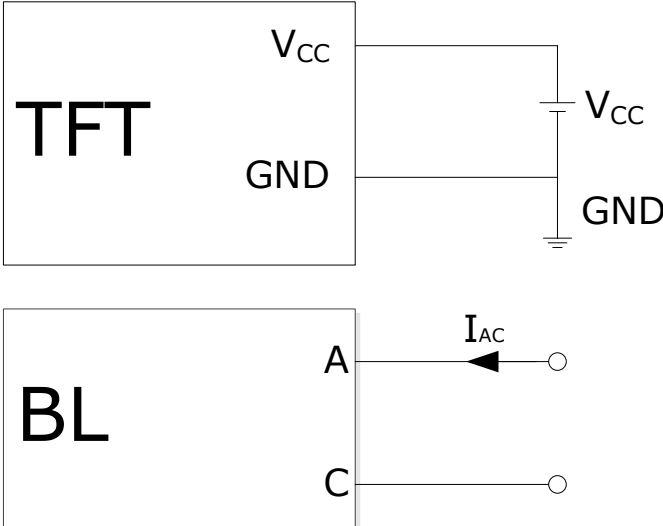


Figure 7.1 : Power supply for T043C004800272T2AG5B16

# 11 Drawing

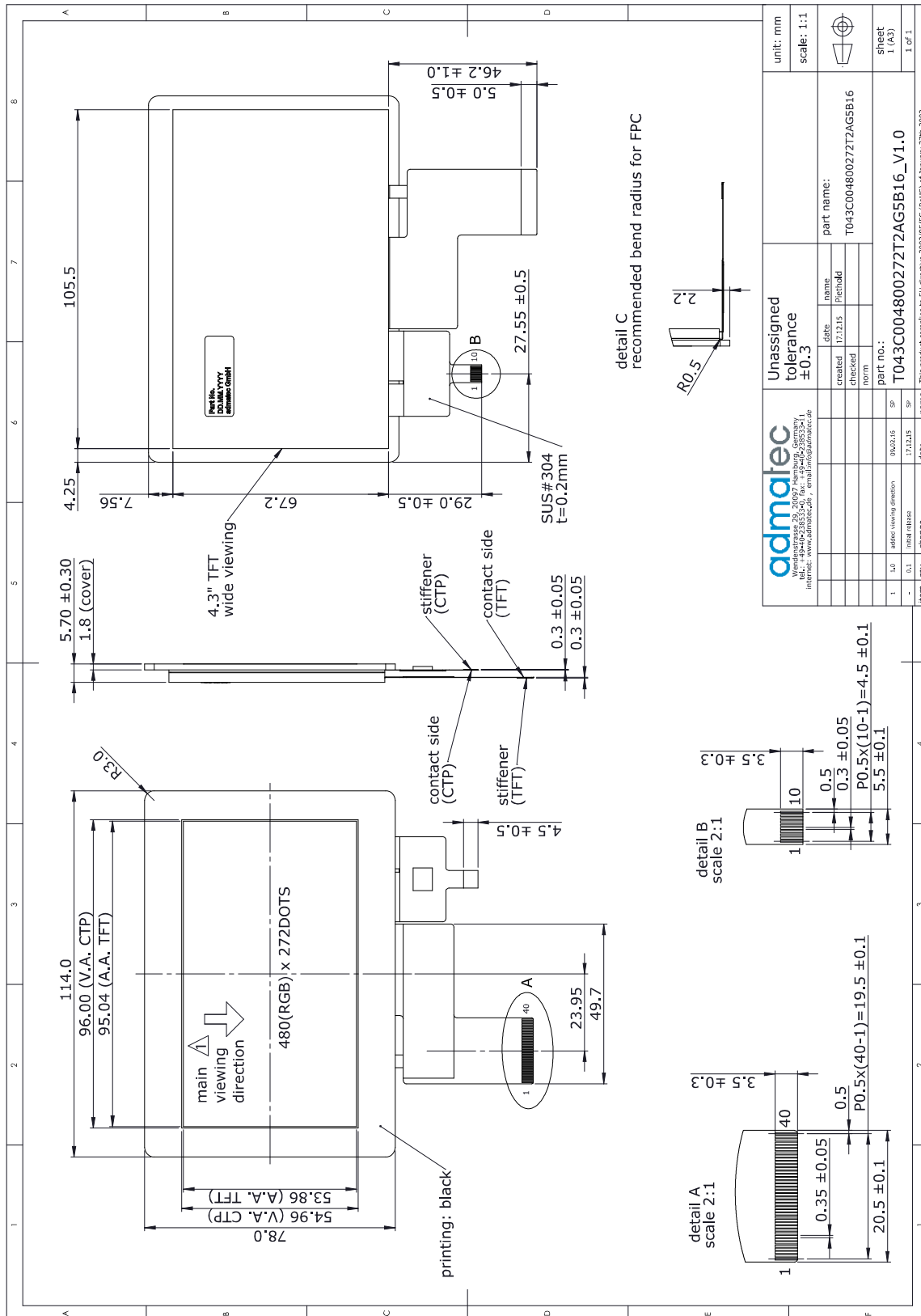


Fig 11.1: Drawing of T043C004800272T2AG5B16

admatec Wendlandstr. 29, 20097 Hamburg, Germany internet: www.admatec.de, email: info@admaterc.de		Unassigned tolerance ±0.3		part name: T043C004800272T2AG5B16		unit: mm
item	rev.	change	date	name	part no.:	sheet
1	1.0	initial viewing direction	09.02.16	SP	T043C004800272T2AG5B16_V1.0	1 (of 1)
-	0.1	initial release	17.12.15	SP		1 of 1
This product complies to EU directive 2002/95/EC (RoHS) of January 27th, 2003						