



admatec

The better Display Solution

LCD Module

TFT043C004800272TxB203

DATA SHEET

Product specification V 1.3

Approval of specification

	Approved by	Date
admatec	<i>V. Pfander</i>	2016-05-23
Customer		

This product complies to EU directive 2002/95/EC (RoHS) of January 27th, 2003.

admatec GmbH

Wendenstrasse 29, 20097 Hamburg, Germany
Tel.: +49-40-238533-0, Fax: +49-40-238533-11
Internet: www.admatec.de, Email: info@admatec.de

1 General data

Table 1.1: General data

No.	Item		Content
1.	module size	w/o TP	105.5 mm (W) * 67.2 mm (H) * 3.0 mm (D)
		res. TP	105.5 mm (W) * 67.2 mm (H) * 4.15 mm (D)
2.	visible area	w/o TP	98.70 mm (W) * 57.50 mm (H)
		res. TP	
3.	active area		95.04 mm (W) * 53.86 mm (H)
4.	dot pitch		0.066 mm (W) * 0.198 mm (H)
5.	number of dots		480 * 3 (RGB) (W) * 272 (H)
6.	LCD type		TFT color 16.7M, transmissive
7.	backlight		LED white
8.	controller	w/o TP	NT39017C or ILI6480
		res. TP	
9.	interface		24-bit RGB
10.	weight	w/o TP	44 g (approx.)
		res. TP	58 g (approx.)

Note: w/o TP = without touch panel
 res. TP = resistive touch panel

5 Block diagram

5.1 Block diagram for TFT panel w/o TP

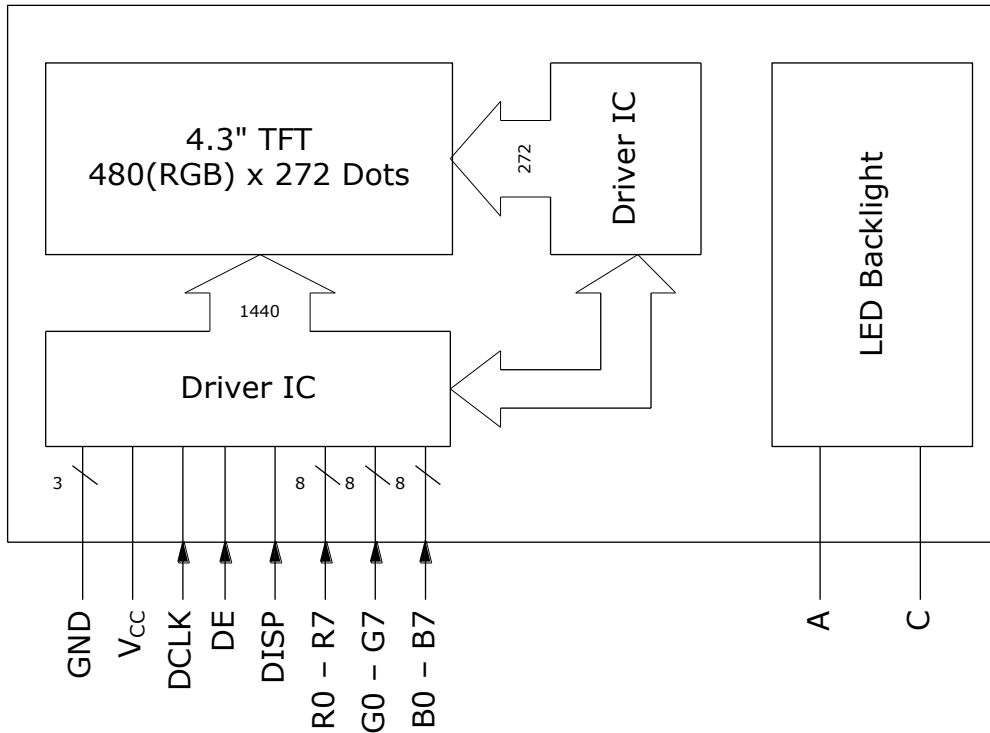


Figure 5.1 : Block diagram of TFT043C004800272T0B203

5.2 Block diagram for TFT with res. TP

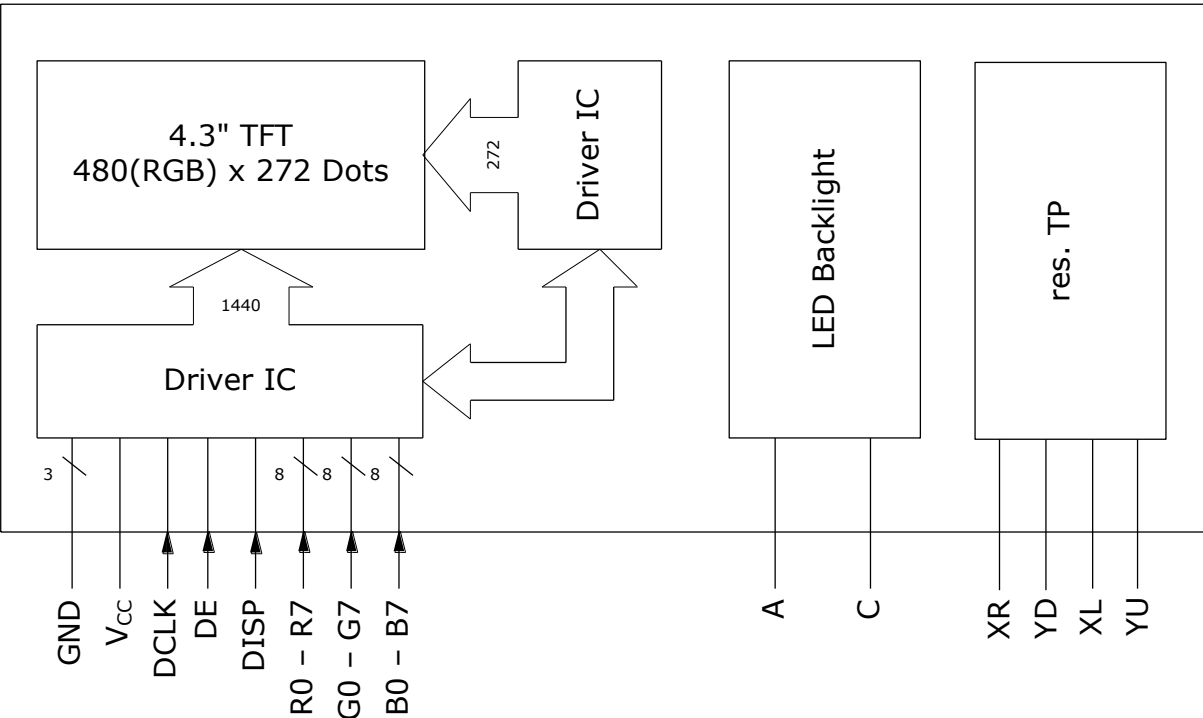


Figure 5.2 : Block diagram of TFT043C004800272T1B203

6 Interface description

6.1 Interface of TFT w/o TP

Table 6.1: Interface of TFT w/o TP

Symbol	Pin no.	IO	Function
C	1	PWR	backlight cathode
A	2	PWR	backlight anode
GND	3	PWR	ground
V _{CC}	4	PWR	power supply
R0	5	I	red data bus
R1	6	I	
R2	7	I	
R3	8	I	
R4	9	I	
R5	10	I	
R6	11	I	
R7	12	I	
G0	13	I	green data bus
G1	14	I	
G2	15	I	
G3	16	I	
G4	17	I	
G5	18	I	
G6	19	I	
G7	20	I	
B0	21	I	blue data bus
B1	22	I	
B2	23	I	
B3	24	I	
B4	25	I	
B5	26	I	
B6	27	I	
B7	28	I	
GND	29	PWR	ground
DCLK	30	I	pixel clock
DISP	31	I	display on/off
NC	32	--	not connected
NC	33	--	not connected
DE	34	I	data enable
NC	35	--	not connected
GND	36	PWR	ground
NC	37	--	not connected
NC	38	--	
NC	39	--	
NC	40	--	

FPC: 40 pin, 0.5 mm pitch

6.2 Interface of TFT with res. TP

Table 6.2: Interface of TFT with res. TP

Symbol	Pin no.	IO	Function
C	1	PWR	backlight cathode
A	2	PWR	backlight anode
GND	3	PWR	ground
V _{CC}	4	PWR	power supply
R0	5	I	red data bus
R1	6	I	
R2	7	I	
R3	8	I	
R4	9	I	
R5	10	I	
R6	11	I	
R7	12	I	
G0	13	I	green data bus
G1	14	I	
G2	15	I	
G3	16	I	
G4	17	I	
G5	18	I	
G6	19	I	
G7	20	I	
B0	21	I	blue data bus
B1	22	I	
B2	23	I	
B3	24	I	
B4	25	I	
B5	26	I	
B6	27	I	
B7	28	I	
GND	29	PWR	ground
DCLK	30	I	pixel clock
DISP	31	I	display on/off
NC	32	--	not connected
NC	33	--	not connected
DE	34	I	data enable
NC	35	--	not connected
GND	36	PWR	ground
XR	37	--	res. TP interface
YD	38	--	
XL	39	--	
YU	40	--	

FPC: 40 pin, 0.5 mm pitch

7 Power supply

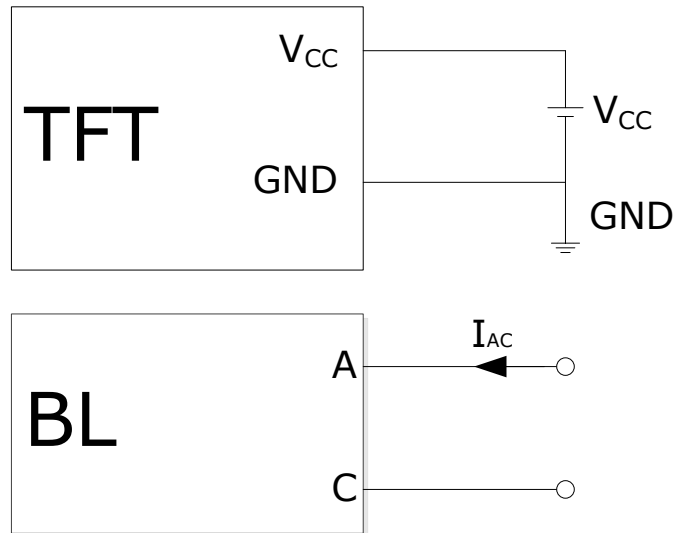


Figure 7.1 : Power supply for TFT043C004800272TxB203

11 Drawing

11.1 TFT panel w/o TP

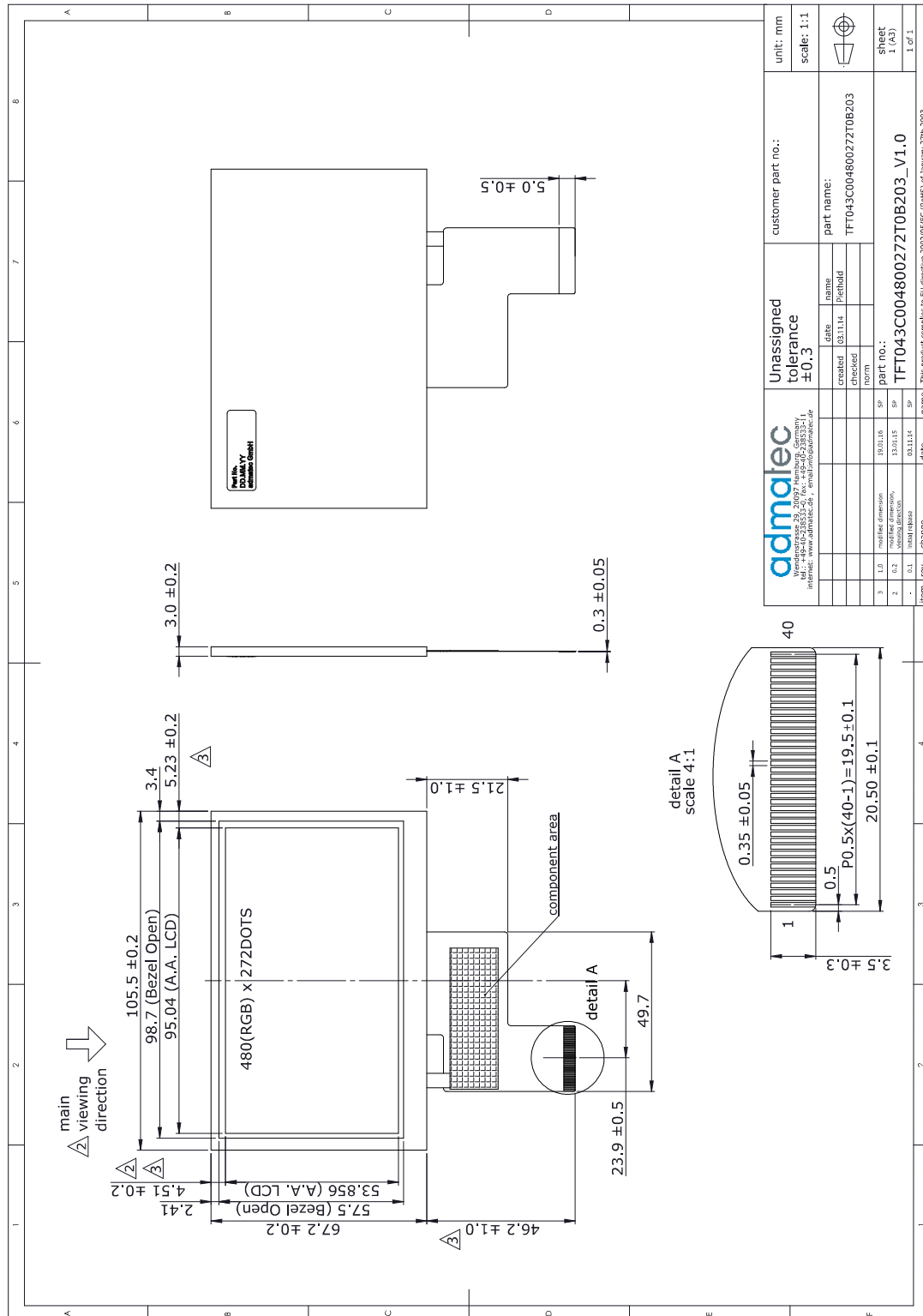


Figure 11.1 : Drawing of TFT043C004800272T0B203

11.2 TFT panel with res. TP

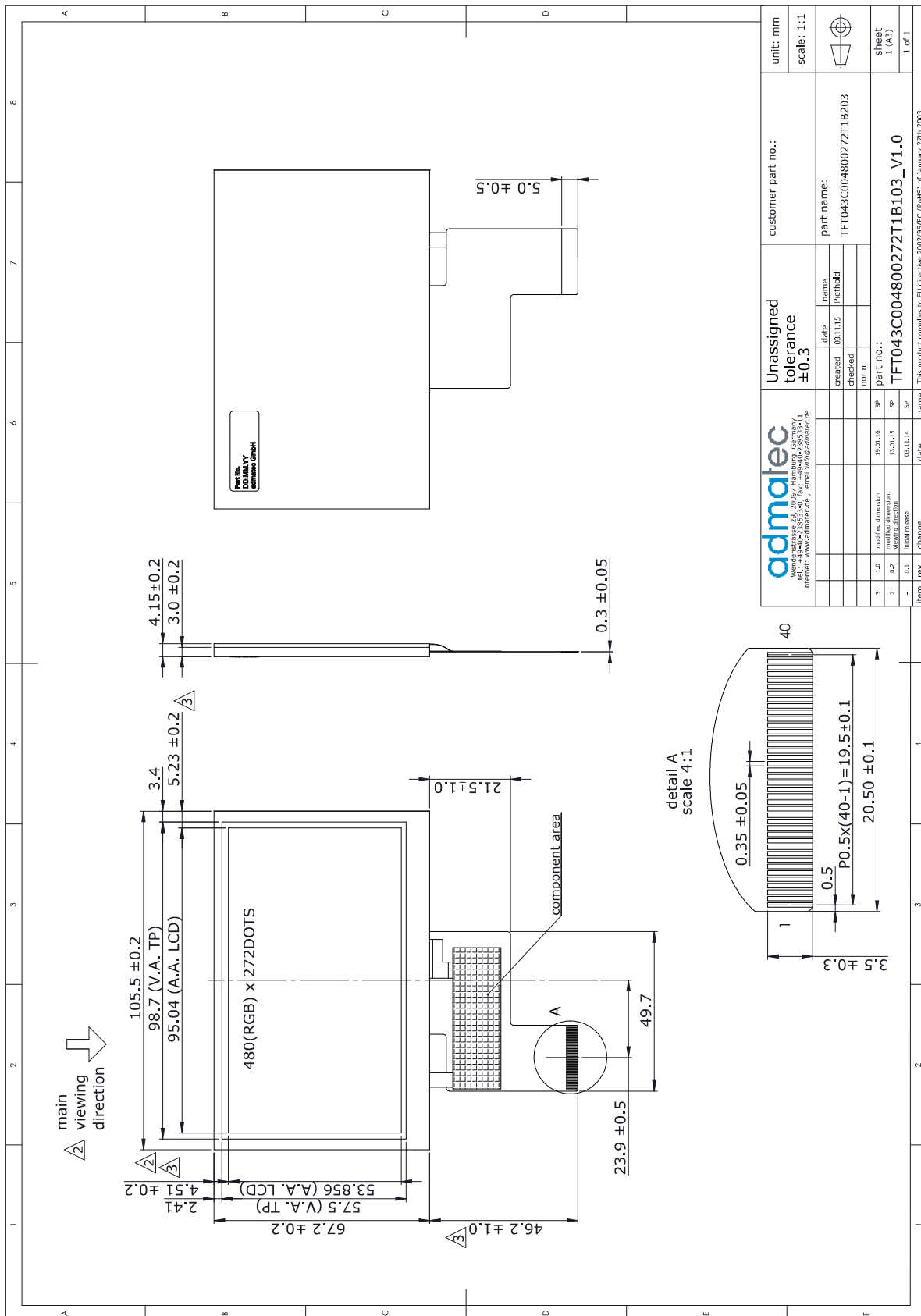


Figure 11.2: Drawing of TFT043C004800272T1B203

admatec Mertesweg 23, 20097 Hamburg, Germany internet: www.admatec.de, email: info@admatec.de		Unassigned tolerance ± 0.3		customer part no.:		unit: mm
created	date	name	part name:	TFT043C004800272T1B203		scale: 1:1
checked	08.11.15	Priethald	norm			
1.0	19.01.16	SP	part no.:	TFT043C004800272T1B103_V1.0		sheet 1 (A3)
2	13.01.15	SP	revision:			1 of 1
0.1	03.11.14	SP	change			
This product complies to EU directive 2002/95/EC (RoHS) of January 27th, 2003						