


LCD Module

3.5" TFT High Bright Family

DATA SHEET

Product specification V 1.0

Approval of Specification

	Approved by	Date
admatec		2014-03-31
Customer		

This product complies to EU directive 2002/95/EC (RoHS) of January 27th, 2003.

1 General data

Table 1.1: General data

No.	Item		Content
1.	module size	w/o T/P	76.9 mm (W) * 63.9 mm (H) * 7.0 mm (D)
		res. T/P	76.9 mm (W) * 63.9 mm (H) * 8.2mm (D)
2.	visible area	w/o T/P	72.88 mm (W) * 55.36 mm (H)
		res. T/P	72.28 mm (W) * 54.76 mm (H)
3.	active area	w/o T/P	70.08 mm (W) * 52.56 mm (H)
		res. T/P	70.68 mm (W) * 53.16 mm (H)
4.	dot size		0.219 mm (W) * 0.219 mm (H)
5.	number of dots		320 * 3 (RGB) (W) * 240 (H)
6.	duty		1/240
7.	LCD type		TFT color 65K, transmissive
8.	backlight		LED white
9.	controller		RA8870
10.	interface		parallel
11.	touch panel		none or resistive 4-wire
12.	weight	res. T/P	45 g (approx.)
		w/o T/P	33 g (approx.)

Note: w/o TP = without touch panel
res. TP = resistive touch panel

5 Block diagram

5.1 TFT035C103200240T0B202

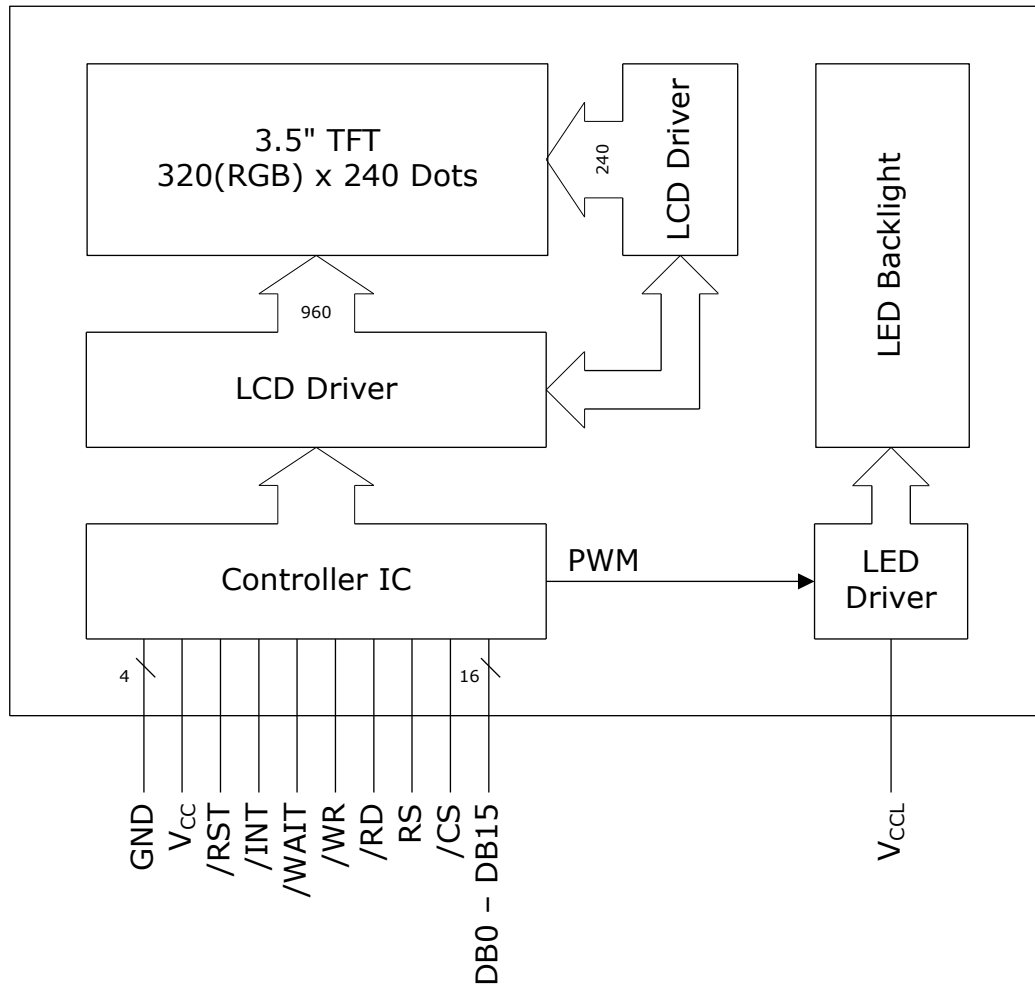


Figure 5.1 : Block diagram of 3.5" TFT High Bright Family w/o res. T/P

5.2 TFT035C103200240T1B202

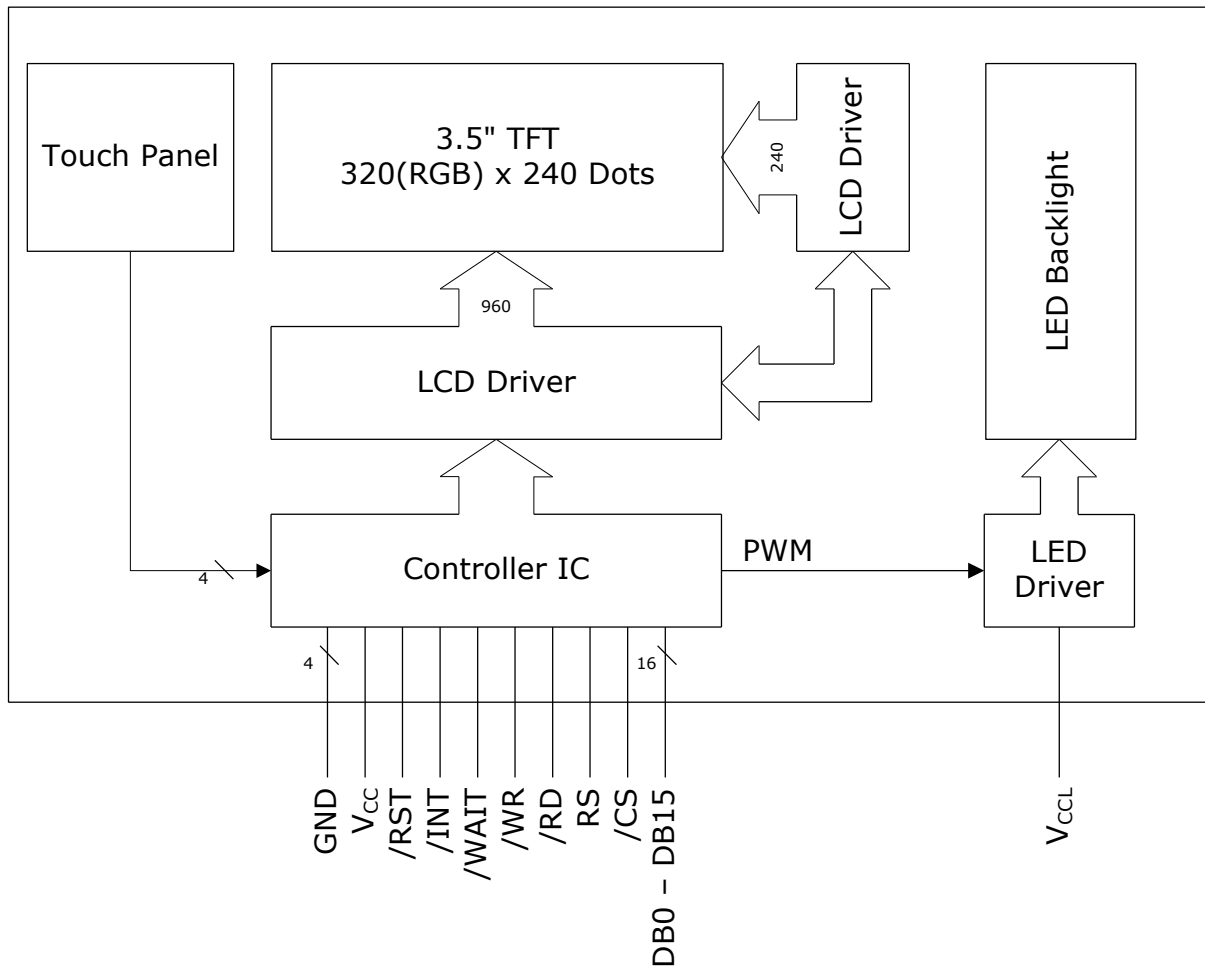


Figure 5.2 : Block diagram of 3.5" TFT High Bright Family with res. T/P

6 Interface description

Table 6.1: TFT interface description

Symbol	Pin no.	IO	Function
DB0	1	I/O	data Bus
DB1	2	I/O	
DB2	3	I/O	
DB3	4	I/O	
DB4	5	I/O	
DB5	6	I/O	
DB6	7	I/O	
DB7	8	I/O	
DB8	9	I/O	
DB9	10	I/O	
DB10	11	I/O	
DB11	12	I/O	
DB12	13	I/O	
DB13	14	I/O	
DB14	15	I/O	
DB15	16	I/O	
/CS	17	I	chip select input chip select pin: active low
RS	18	I	command/data select input the pin is used to select command/data cycle RS=0, data read/write cycle is selected. RS=1, status read/command write cycle is selected
/RD	19	I	data read: active low
/WR	20	I	data write: active low
/WAIT	21	O	wait output to indicate that IC is busy: active low
/INT	22	O	interrupt output to indicate the status of IC: active low
NC	23	--	not connected
/RST	24	I	Reset: active low
V _{CC}	25	PWR	power supply for LCM
V _{CCL}	26	PWR	power supply for backlight
GND	27	PWR	Ground
GND	28	PWR	
GND	29	PWR	
GND	30	PWR	

connector: ZIF socket, 30 pin, 0.50mm pitch, top contact
mating part: FFC/FPC, 30 pin, 0.5mm pitch, 0.30mm thickness

10 Drawing

10.1 TFT035C103200240T0B202

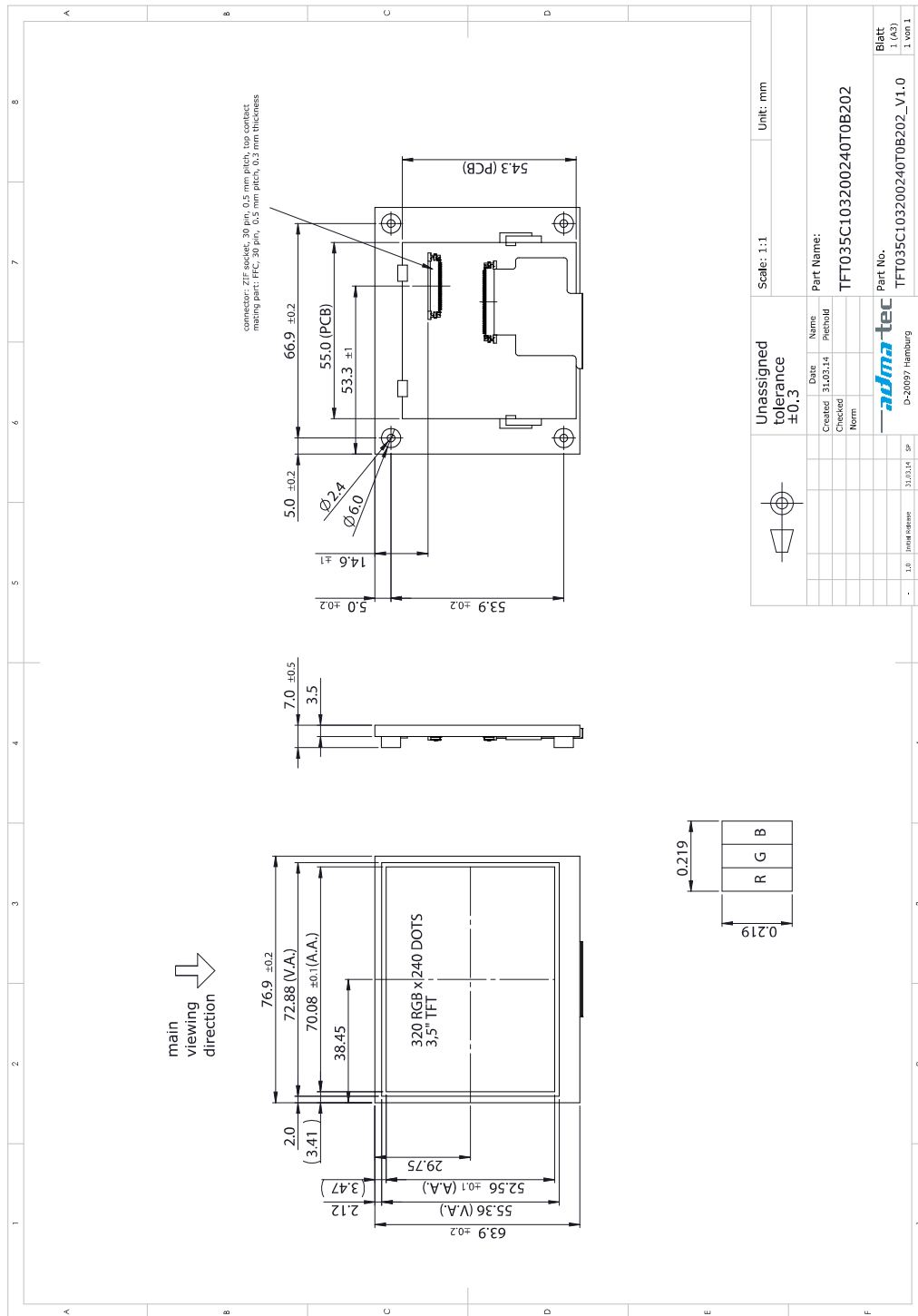


Fig 10.1: Drawing of 3.5" TFT High Bright Family w/o res. T/P

10.2 TFT035C103200240T1B202

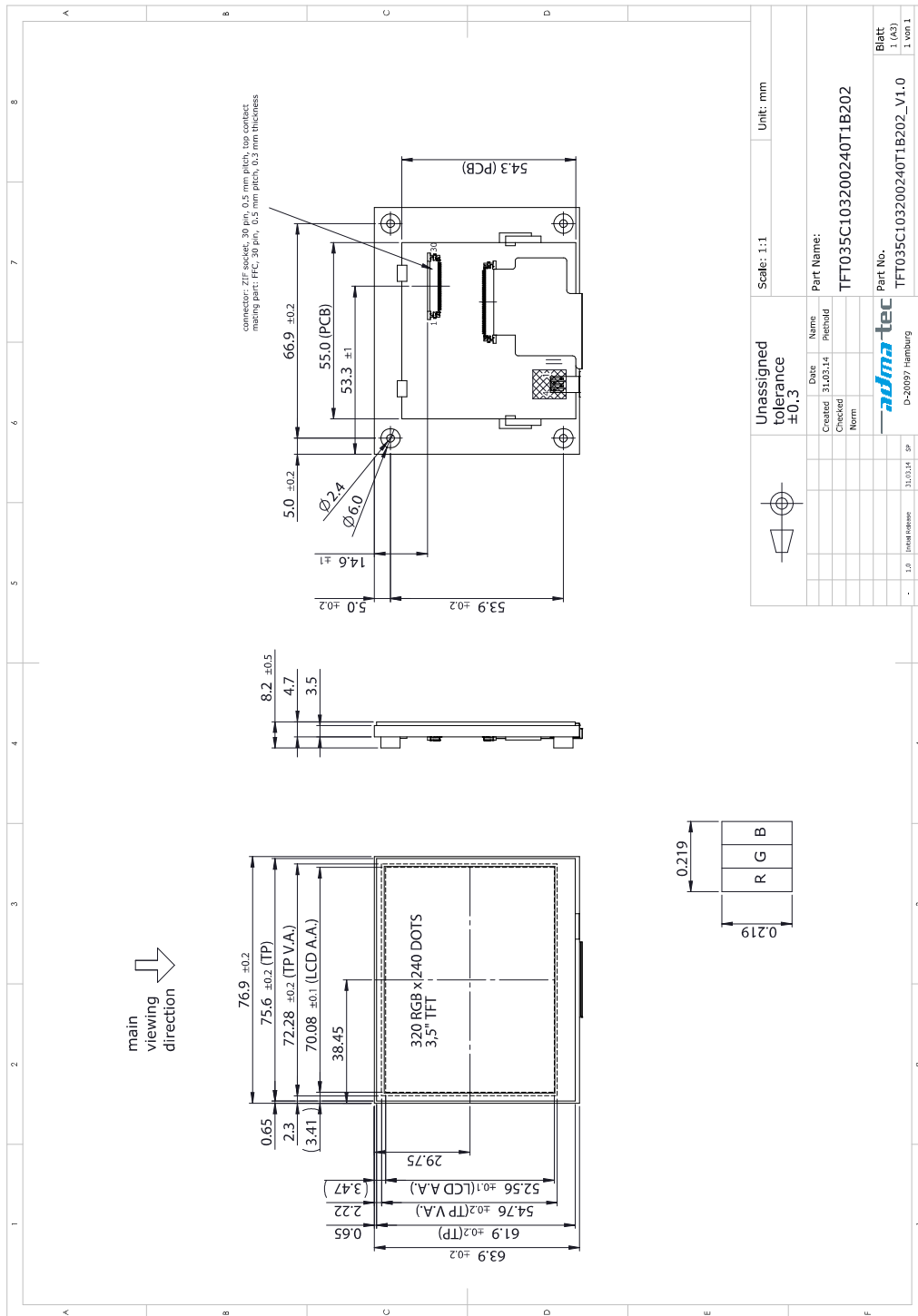


Fig 10.2: Drawing of 3.5" TFT High Bright Family with res. T/P