

PRODUCT SPECIFICATION

2.8" a-Si TFT LCD MODULE

MODEL: T028240320-A6TMR-001 Ver:1.2



- < ◇ > Preliminary Specification
- < ◆ > Finally Specification

CUSTOMER'S APPROVAL	
CUSTOMER :	
SIGNATURE:	DATE:

APPROVED BY	PM REVIEWED	PD REVIEWED	PREPARED BY

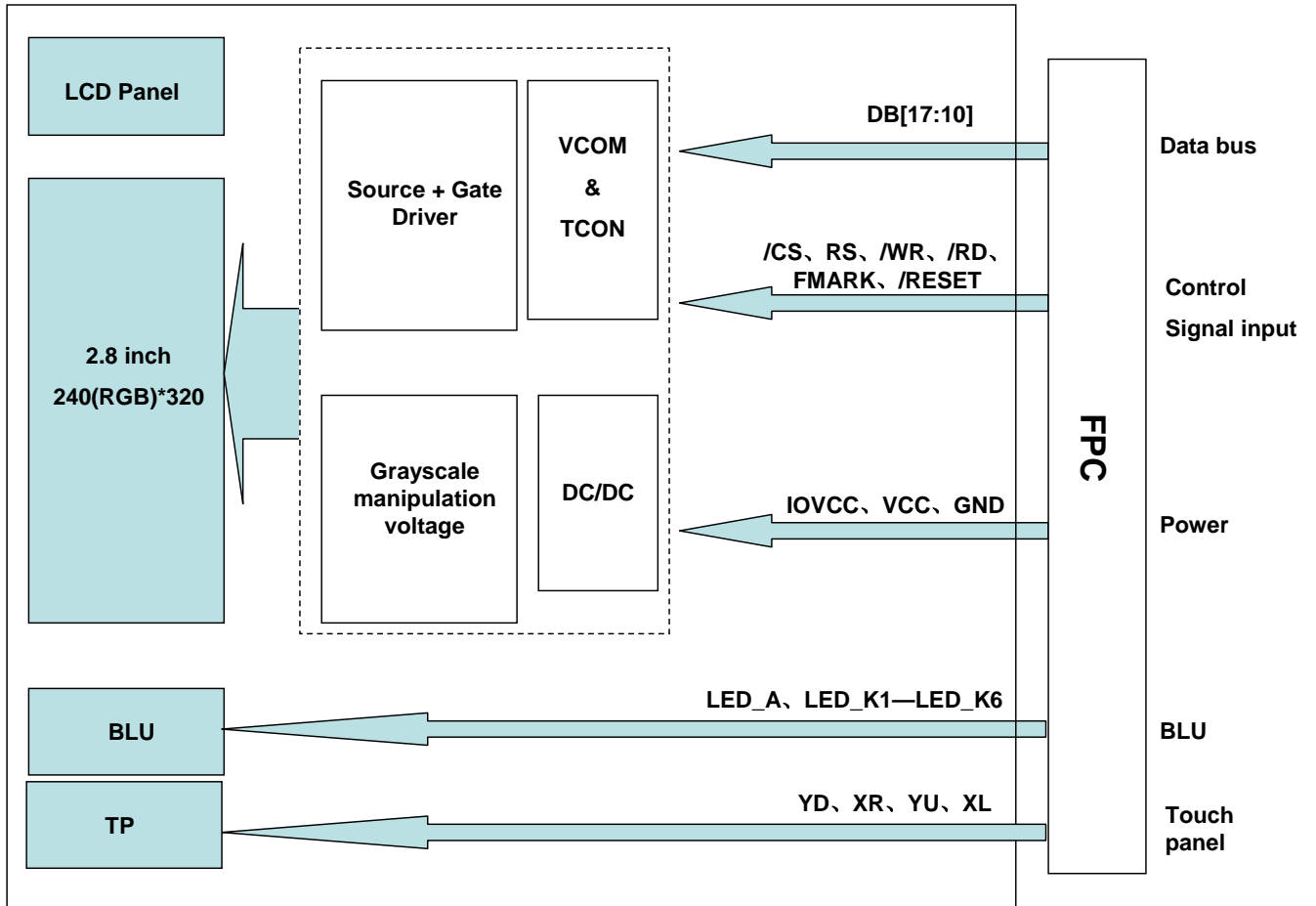
1. General Description

The specification is a transmissive type color active matrix liquid crystal display (LCD) which uses amorphous thin film transistor (TFT) as switching devices. This product is composed of a TFT-LCD panel, driver Ics and a backlight unit.

2. Module Parameter

Features	Details	Unit
Display Size(Diagonal)	2.8"	
LCD type	TN TFT	
Display Mode	Transmissive /Normally white	
Resolution	240 RGB x 320	Pixels
View Direction	6 O'clock	Best Image
Gray Scale Inversion Direction	12 clock	
Module Outline	50.00(H) x 69.20(V) x 3.75MAX(T) (Note1)	mm
Active Area	43.2 (H) x 57.6 (V)	mm
Pixel Size	180 x180	um
Pixel Arrangement	R.G.B. Vertical Stripe	
Polarizer Surface Treatment	Anti-glare	
Display Colors	262K	
Interface	8-bit Parallel CPU interface	
With or without touch panel	With	
Driver IC	NV3029C	-
Operating Temperature	-20~70	°C
Storage Temperature	-30~80	°C
Weight	TBD	g

7. Block Diagram and Power Supply



8. Interface Pins Definition

No.	Symbol	Function	Remark
1	FMARK	Tearing effect output pin	
2	IOVCC	Digital Supply Power	
3	VCC	Analog Supply Power	
4	/CS	Chip Select Signal (Low: active)	
5	RS	Data/Commander Selection	
6	/WR	Write Signal	
7	/RD	Read Signal	
8	/RESET	Reset Signal	
9	GND	Ground	
10	NC	No Connection	
11	GND	Ground	
12	NC	No Connection	
13	GND	Ground	
14	NC	No Connection	
15	GND	Ground	
16	NC	No Connection	
17	DB10	Data Bus	
18	DB11	Data Bus	
19	DB12	Data Bus	
20	DB13	Data Bus	
21	DB14	Data Bus	
22	DB15	Data Bus	
23	DB16	Data Bus	
24	DB17	Data Bus	
25	LCD_ID	No Connection	
26	YD	Touch panel terminal	
27	XR	Touch panel terminal	
28	YU	Touch panel terminal	
29	XL	Touch panel terminal	
30	LED_A	Led Anode	
31	LED_K1	Led Cathode	
32	LED_K2	Led Cathode	
33	LED_K3	Led Cathode	
34	LED_K4	Led Cathode	
35	LED_K5	Led Cathode	
36	LED_K6	Led Cathode	
37	NC	No Connection	

15. Outline Drawing

