



admatec

The better Display Solution

TFT Module

TFT070C008000480T0B104

DATA SHEET

Product specification V 1.1

Approval of Specification

	Approved by	Date
admatec	<i>T. Pfander</i>	2015-03-23
Customer		

This product complies to EU directive 2002/95/EC (RoHS) of January 27th, 2003.

1 General data

Table 1.1: General data

No.	Item	Content
1.	module size	164.9 mm (W) * 100.0 mm (H) * 5.7mm (D)
2.	visible area	156.70 mm (W) * 89.10 mm (H)
3.	active area	154.08 mm (W) * 85.92 mm (H)
4.	dot pitch	0.0642 mm (W) * 0.1790 mm (H)
5.	number of dots	800 * 3 (RGB) (W) * 480 (H)
6.	LCD type	TFT color, transmissive
7.	backlight	LED white
8.	controller	ILI5960 and ILI6122
9.	interface	24-bit parallel
10.	weight	217 g (approx.)

5 Block diagram

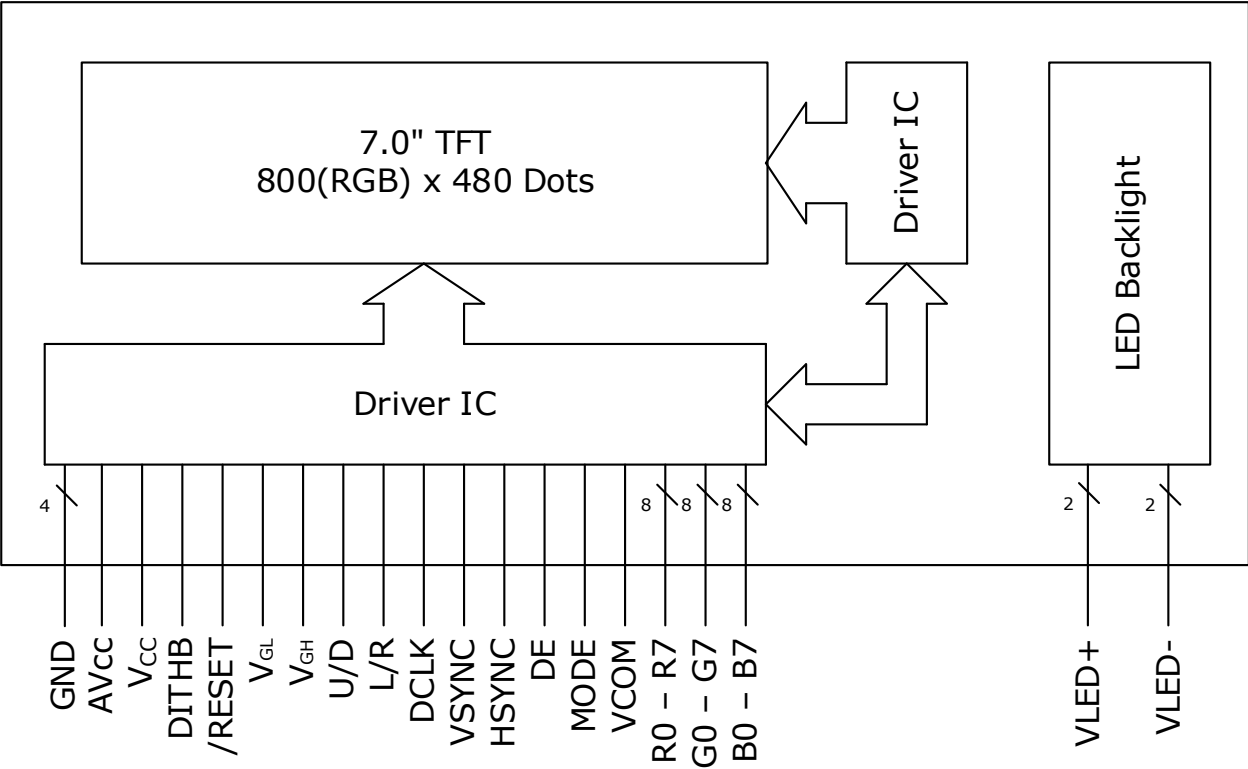


Figure 5.1 : Block diagram of TFT070C008000480T0B104

6 Interface description

6.1 Interface of LCD

Table 6.1: LCD interface description

Symbol	Pin no.	IO	Function
V _{LED+}	1	PWR	backlight anode
V _{LED+}	2	PWR	backlight anode
V _{LED-}	3	PWR	backlight cathode
V _{LED-}	4	PWR	backlight cathode
GND	5	PWR	common voltage input
V _{COM}	6	I	common voltage input
V _{CC}	7	PWR	power supply
MODE	8		DE/SYNC mode select 'H' => DE mode 'L' => SYNC mode
DE	9		data enable
VSYNC	10	I	vertical sync
HSYNC	11	I	horizontal sync
B7	12	I	blue data bus
B6	13	I	
B5	14	I	
B4	15	I	
B3	16	I	
B2	17	I	
B1	18	I	
B0	19	I	
G7	20	I	green data bus
G6	21	I	
G5	22	I	
G4	23	I	
G3	24	I	
G2	25	I	
G1	26	I	
G0	27	I	
R7	28	I	red data bus
R6	29	I	
R5	30	I	
R4	31	I	
R3	32	I	
R2	33	I	
R1	34	I	
R0	35	I	
GND	36	PWR	ground
DCLK	37	I	clock for input data
GND	38	PWR	ground
L/R	39	I	source left or right sequence control
U/D	40	I	gate up or down scan control

VGH	41	PWR	positive power of TFT
VGL	42	PWR	negative power of TFT
AV _{CC}	43	PWR	analog power supply
/RESET	44	I	reset pin
NC	45	NC	not connected
VCOM	46	PWR	common voltage input
DITHB	47	I	internal dithering function 'H' => disable 'L' => enable
GND	48	PWR	ground
NC	49	NC	not connected
NC	50	NC	not connected

FPC: 50 pin, 0,5 mm pitch

10 Drawing

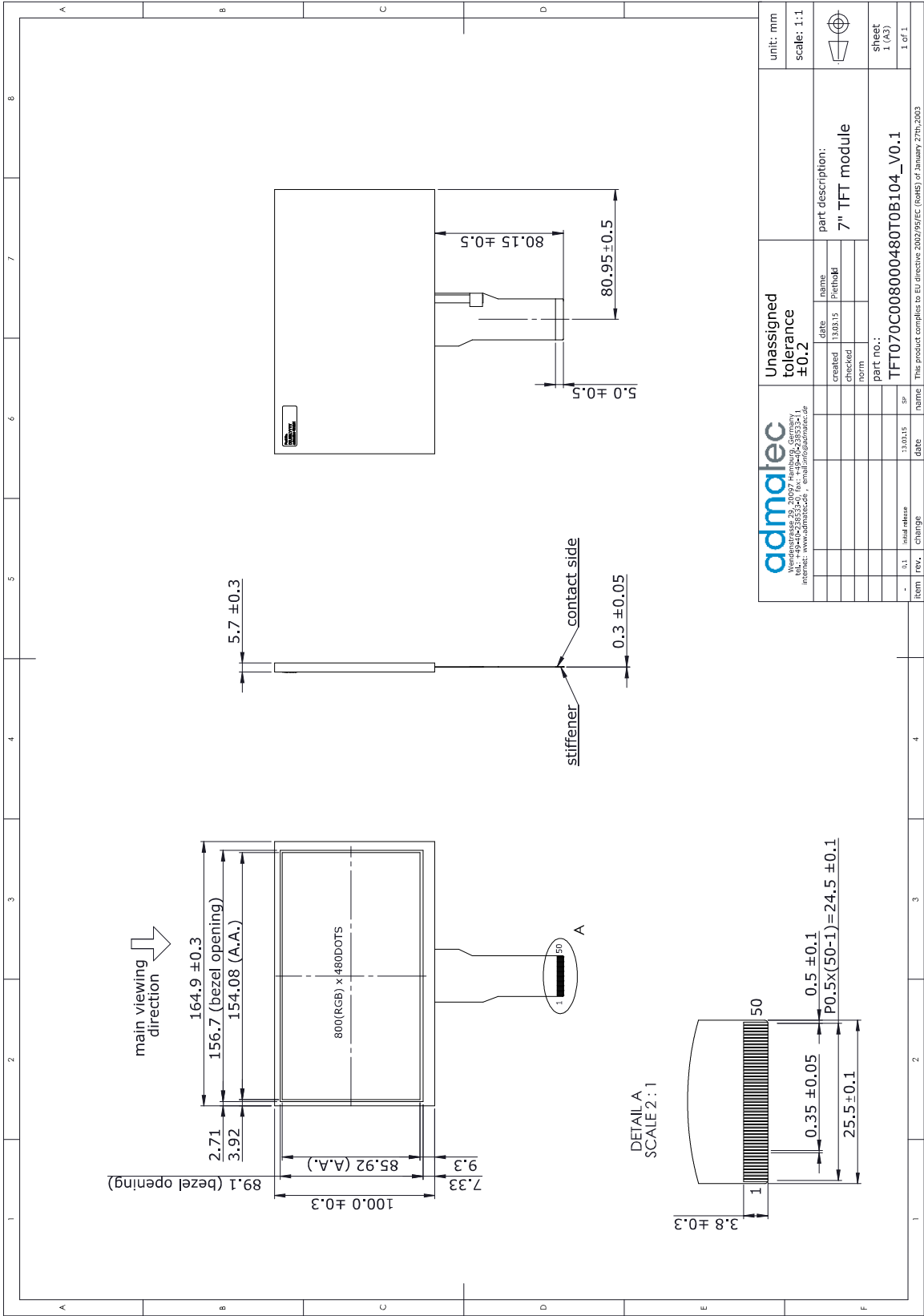


Fig 10.1: Drawing of TFT070C008000480T0B104