

LCD Module

RoHS

NLC320F240BTY1

(Status: April 2010)

Specification V1.0

Approval of Specification

	Approved by	Date
Admatec	<i>Stahl</i>	14.04.2010
Customer		

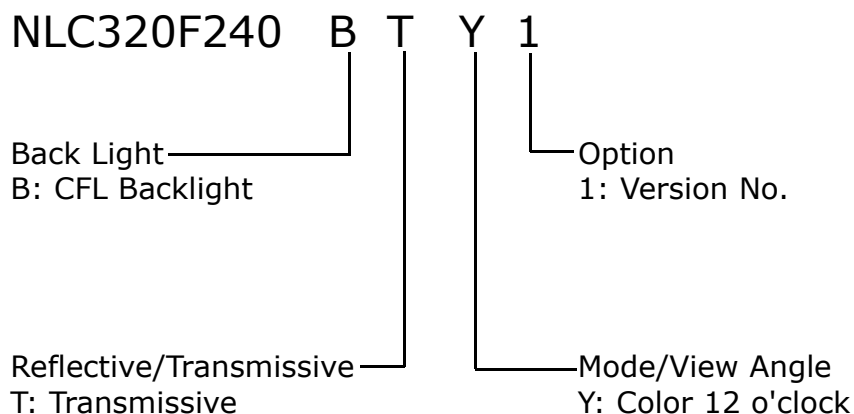
This product complies to EU directive 2002/95/EC (RoHS) of January 27th,2003.



1. MECHANICAL DATA

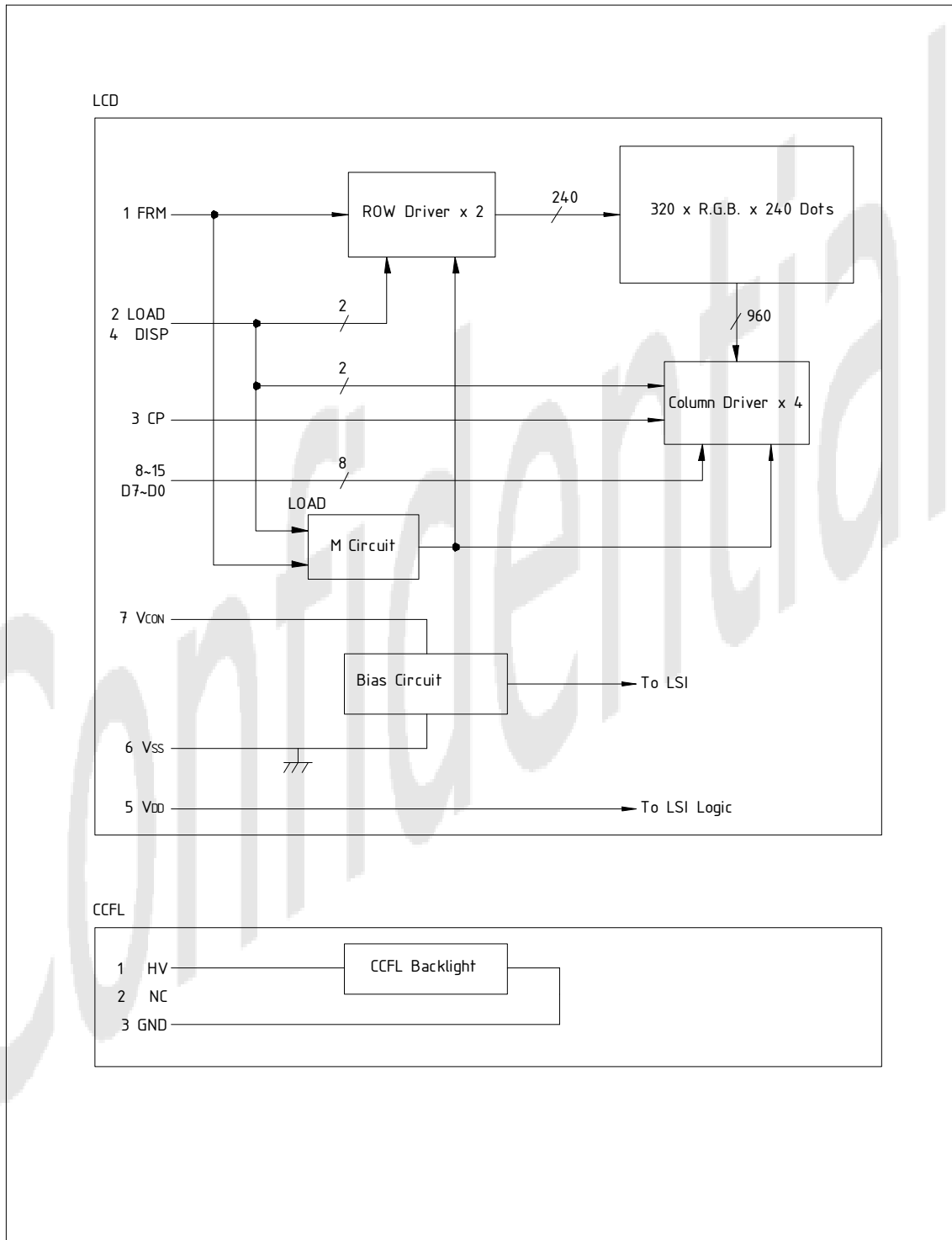
NO.	ITEM	CONTENTS	UNIT
1	Product No.	NLC320F240BTY1	
2	Module Size	154.6(W)*114.8(H)*MAX 9.0(T)	mm
3	Dot Size	0.10(W)*0.34(H)	mm
4	Dot Pitch	0.12(W)*0.36(H)	mm
5	Number of Dots	320 RGB(W)*240(H)	--
6	Duty	1/240	--
7	LCD Type	FSTN Color	--
8	Rear Polarizer	Transmissive	--
9	Viewing Direction	12 O'clock	--
10	Backlight	CFL	--
11	Controller	Excluded	--
12	DC/DC Converter	Excluded	--
13	Touch Panel	Excluded	--
14	Weight	200 (Approx.)	g

Note:





5. BLOCK DIAGRAM





6. INTERNAL PIN CONNECTION

Connector: Receptacle 15-pin, pitch 1.25mm

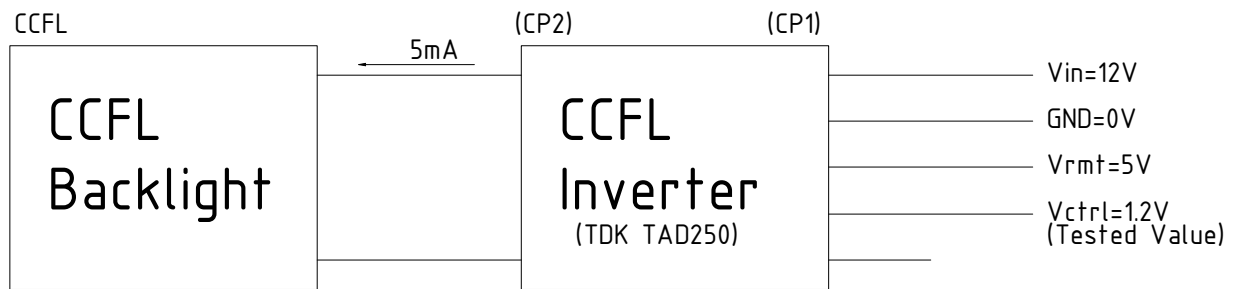
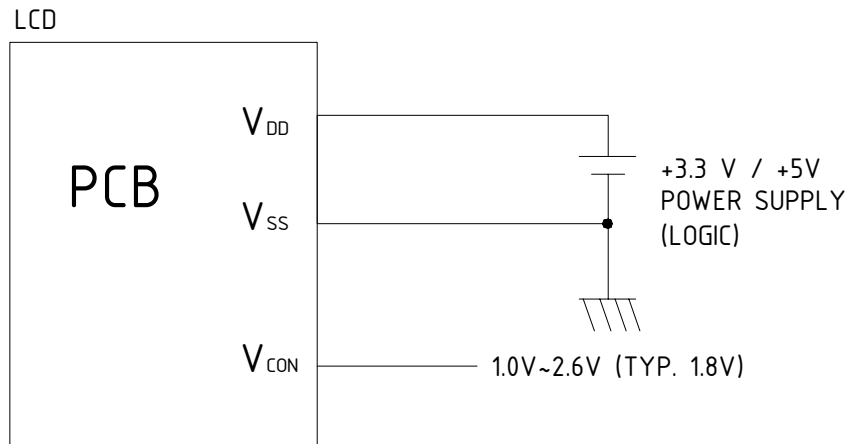
PIN No.	SYMBOL	LEVEL	FUNCTION
1	Frm	H	Synchronous signal for driving scanning line
2	Load	H -> L	Data signal latch clock
3	Cp	H -> L	Data signal shift clock
4	Disp	H(on), L(off)	Display control signal
5	VDD	--	Power supply for logic
6	VSS	--	GND
7	VCON	--	Contrast Adjust
8	D7~D8	H(on), L(off)	Display Data

CFL connector

PIN No.	SYMBOL	LEVEL	FUNCTION
1	HV	--	Power supply for CFL
2	NC	--	Not connected
3	GND	--	Ground line (from inverter)

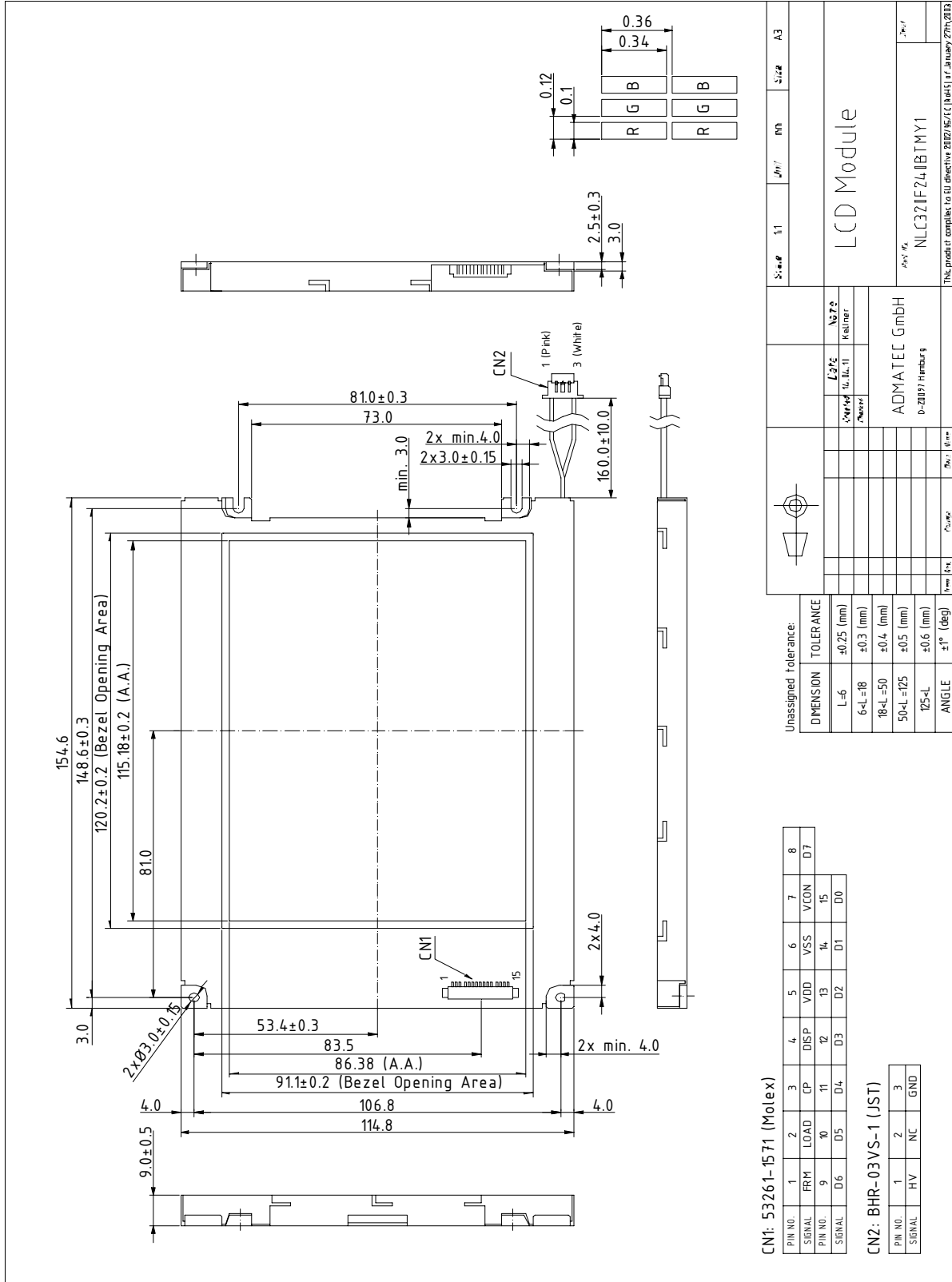


7. POWER SUPPLY





10. DRAWING



CN1: 53261-1571 (Molex)

PIN NO.	1	2	3	4	5	6	7	8
SIGNAL	FRM	LOAD	CP	DISP	VDD	VSS	VCON	D7
PIN NO.	9	10	11	12	13	14	15	
SIGNAL	D6	D5	D4	D3	D2	D1	D0	

CN2: BHR-03VS-1 (JST)

PIN NO.	1	2	3
SIGNAL	HV	NC	GND

Unassigned Tolerance:

DIMENSION	TOLERANCE
L=6	±0.25 (mm)
6-L=18	±0.3 (mm)
18-L=50	±0.4 (mm)
50-L=125	±0.5 (mm)
125-L	±0.6 (mm)
ANGLE	±1° (deg)

Scale	1:1	Unit	mm	Sheet	1 of 2
LCD Module					
Customer			ADMATEC GmbH		
Manufacturer			0-20037 Hamburg		
Part No.			NLC320F240BTY1		
This product complies to EU directive 2002/95/EC (RoHS) or January 27th 2003					