

# LCD Module

## NLC240P064CHK17D

# DATA SHEET

## Product specification V 1.3

### Approval of Specification

	Approved by	Date
<b>admatec</b>	<i>Hagen Ploag</i>	2012-07-04
<b>Customer</b>		

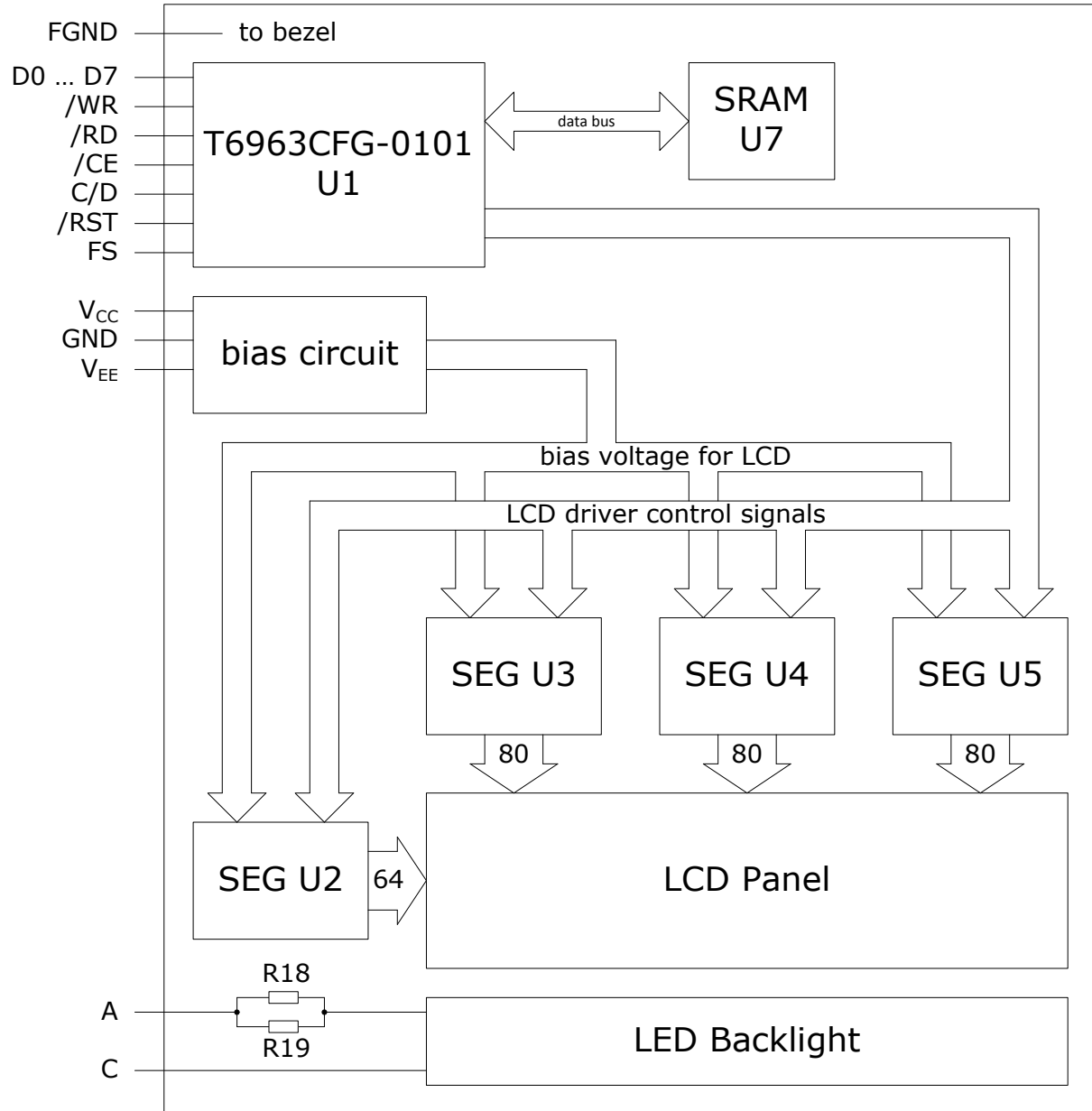
This product complies to EU directive 2002/95/EC (RoHS) of January 27th, 2003.

# 1 General data

**Table 1.1: General data**

No.	Item	Content
1.	module size	180.0 mm (W) * 65.0 mm (H) * 15.5 mm (D)
2.	visible area	133.0 mm (W) * 39.0 mm (H)
3.	active area	127.2 mm (W) * 33.9 mm (H)
4.	dot size	0.49 mm (W) * 0.49 mm (H)
5.	dot pitch	0.53 mm (W) * 0.53 mm (H)
6.	number of dots	240 (W) * 64 (H)
7.	duty	1/64
8.	LCD type	FSTN, positive, transfective
9.	backlight	LED white
10.	controller	T6963CFG-0101
11.	interface	parallel
12.	weight	186 g (approx.)

## 5 Block diagram



Note: R18, R19=0 Ohm

**Figure 5.1 : Block diagram of NLC240P064CHK17D**

## 6 Interface description

### 6.1 Interface of LCD

**Table 6.1: LCD interface description**

Symbol	Pin no.	IO	Function													
FGND	1	PWR	frame ground (0V)													
GND	2	PWR	ground													
V <sub>CC</sub>	3	PWR	power supply for logic													
V <sub>EE</sub>	4	PWR	power supply for LCD													
/WR	5	I	data write													
/RD	6	I	data read													
/CE	7	I	chip enable													
C/D	8	I	<table border="1"> <thead> <tr> <th>function</th> <th>C/D status</th> <th>/WR or /RD status</th> </tr> </thead> <tbody> <tr> <td>command write</td> <td>H</td> <td rowspan="2">/WR=L</td> </tr> <tr> <td>data write</td> <td>L</td> </tr> <tr> <td>status read</td> <td>H</td> <td rowspan="2">/RD=L</td> </tr> <tr> <td>data read</td> <td>L</td> </tr> </tbody> </table>	function	C/D status	/WR or /RD status	command write	H	/WR=L	data write	L	status read	H	/RD=L	data read	L
			function	C/D status	/WR or /RD status											
			command write	H	/WR=L											
			data write	L												
status read	H	/RD=L														
data read	L															
A	9	PWR	anode of backlight													
/RST	10	I	controller reset													
D0	11	I/O	data bus													
D1	12	I/O														
D2	13	I/O														
D3	14	I/O														
D4	15	I/O														
D5	16	I/O														
D6	17	I/O														
D7	18	I/O														
FS	19	I	font select: connect to V <sub>CC</sub> : 6x8 dots per character connect to GND: 8x8 dots per character													
C	20	PWR	cathode of backlight													

pin holes: 20 pin, 2.54 mm pitch

## 7 Power supply

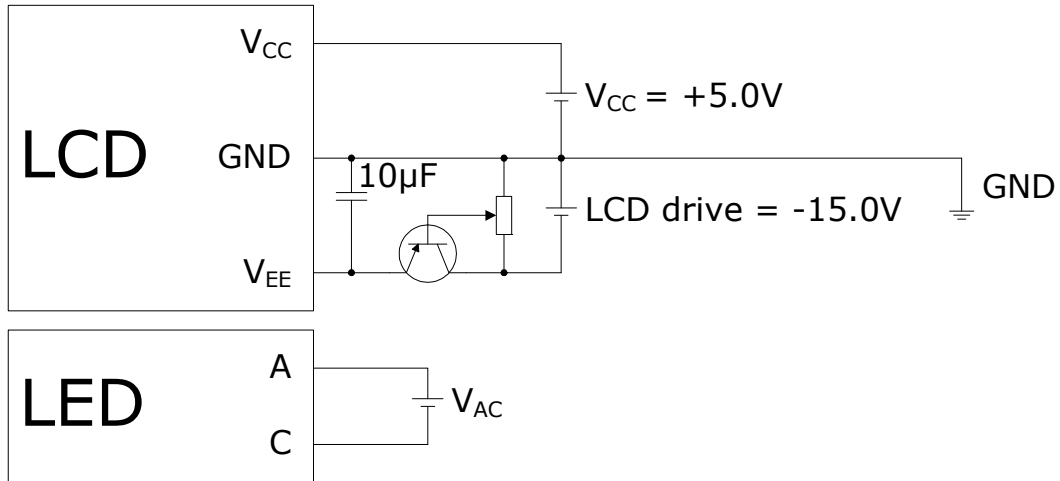


Figure 7.1 : Power supply for NLC240P064CHK17D

# 11 Drawing

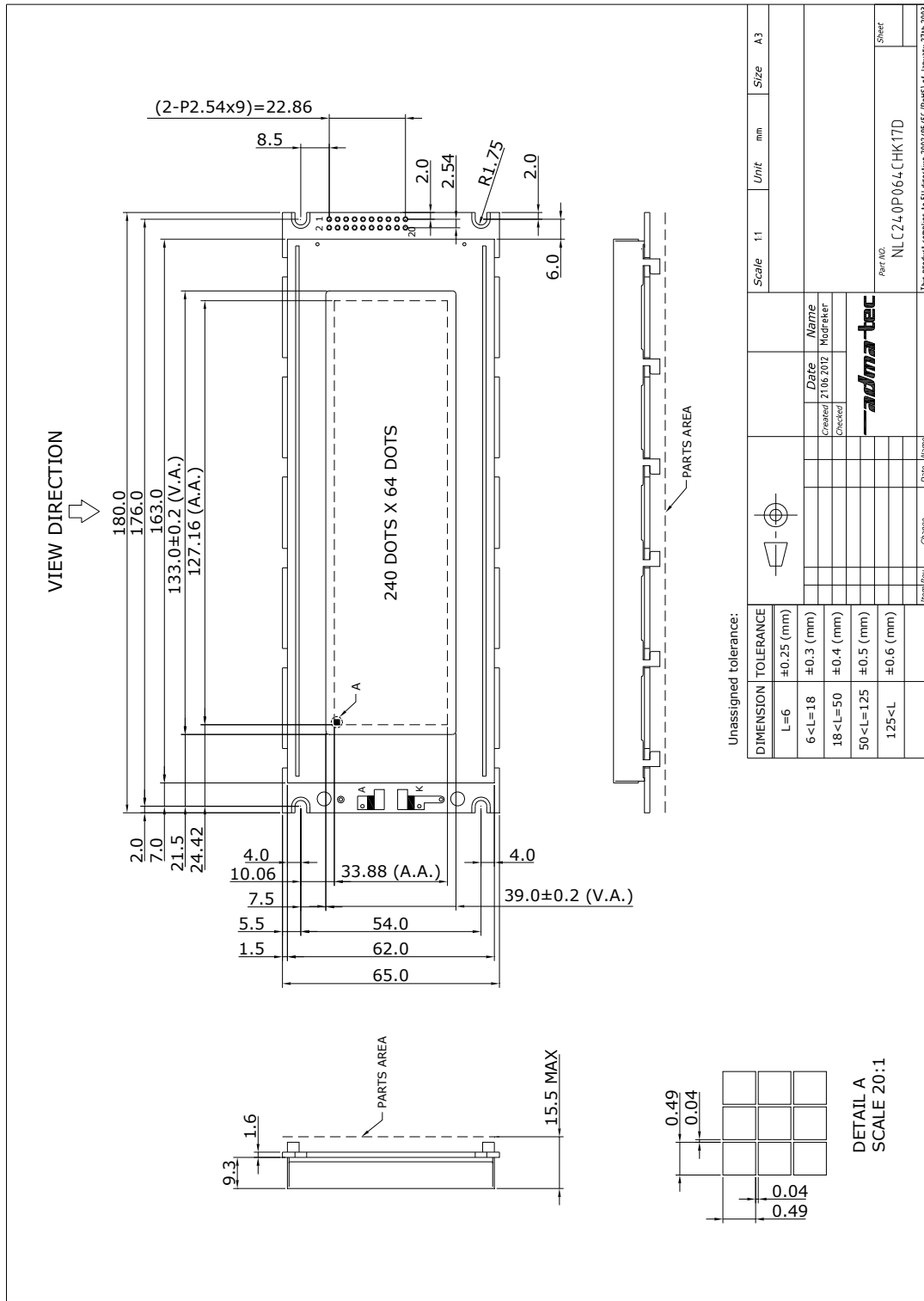


Fig 11.1: Drawing of NLC240P064CHK17D