

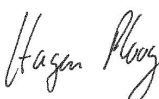
LCD Module

NLC20X4X05CSCD1

DATA SHEET

Product specification V 1.0

Approval of Specification

	Approved by	Date
admatec		2013-02-19
Customer		

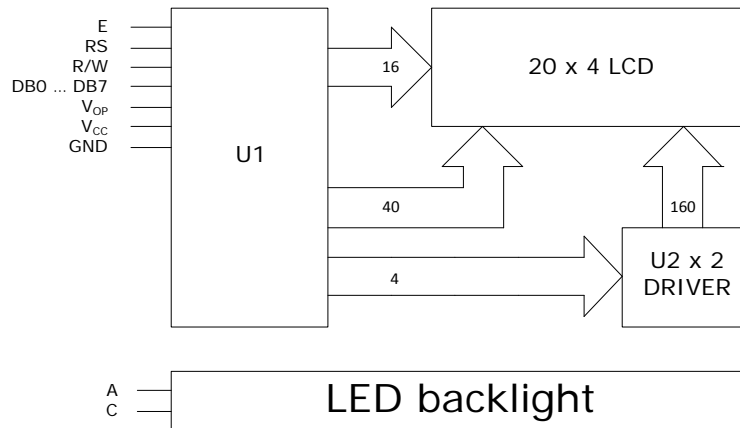
This product complies to EU directive 2002/95/EC (RoHS) of January 27th, 2003.

1 General data

Table 1.1: General data

No.	Item	Content
1.	module size	98.0 mm (W) * 60.0 mm (H) * 15.0 mm (D)
2.	visible area	76.0 mm (W) * 25.2 mm (H)
3.	active area	70.4 mm (W) * 20.8 mm (H)
4.	dot size	0.55 mm (W) * 0.55 mm (H)
5.	dot pitch	0.60 mm (W) * 0.60 mm (H)
6.	number of characters	20 (W) * 4 (H)
7.	duty	1/16
8.	LCD type	STN yellow green, transfective / positive
9.	backlight	LED
10.	controller	ST7066U-0A
11.	interface	parallel
12.	weight	65 g (approx.)

5 Block diagram



Display data address charts

Character	1	2	3	4	5	6	7	8	9	10	11	12	13	14	15	16	17	18	19	20
LINE 1	00	01	02	03	04	05	06	07	08	09	0A	0B	0C	0D	0E	0F	10	11	12	13
LINE 2	40	41	42	43	44	45	46	47	48	49	4A	4B	4C	4D	4E	4F	50	51	52	53
LINE 3	14	15	16	17	18	19	1A	1B	1C	1D	1E	1F	20	21	22	23	24	25	26	27
LINE 4	54	55	56	57	58	59	5A	5B	5C	5D	5E	5F	60	61	62	63	64	65	66	67

Figure 5.1 : Block diagram of NLC20X4X05CSCD1

6 Interface description

6.1 Interface of LCD

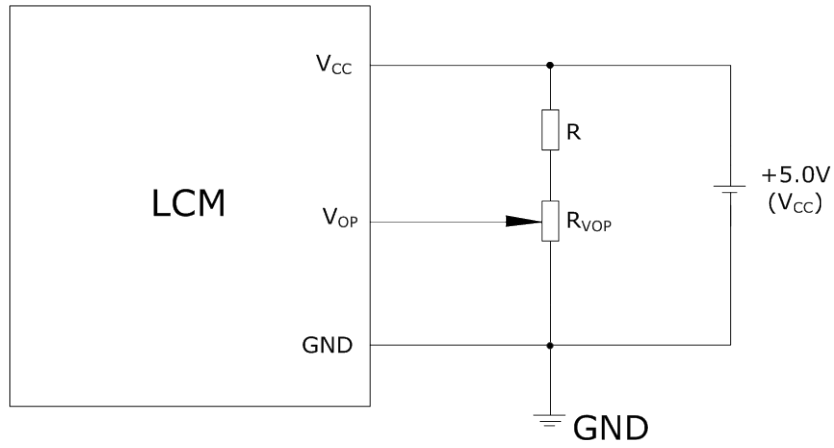
Table 6.1: LCD interface description

Symbol	Pin no.	IO	Function
GND	1	PWR	ground
V _{CC}	2	PWR	power supply for logic
V _{OP}	3	PWR	power supply for LCD
RS	4	I	data / instruction select
R/W	5	I	read / write select
E	6	I	enable signal
DB0	7	I/O	data bus line
DB1	8	I/O	data bus line
DB2	9	I/O	data bus line
DB3	10	I/O	data bus line
DB4	11	I/O	data bus line
DB5	12	I/O	data bus line
DB6	13	I/O	data bus line
DB7	14	I/O	data bus line
A	15	PWR	LED backlight, anode
C	16	PWR	LED backlight, cathode

Terminal: 1x16 solder joints, 2.54mm pitch

Mating part: pin header 1x16, 2.54mm pitch

7 Power supply



$R_{VOP} = 10K\Omega \sim 20K\Omega$

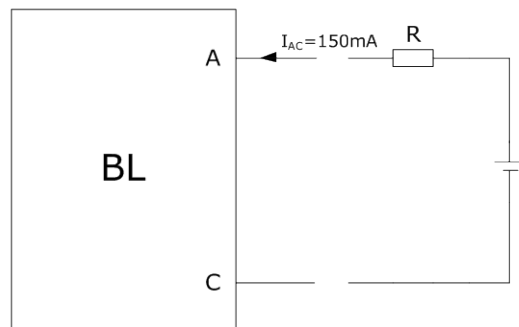


Figure 7.1 : Power supply for NLC20X4X05CSCD1

11 Drawing

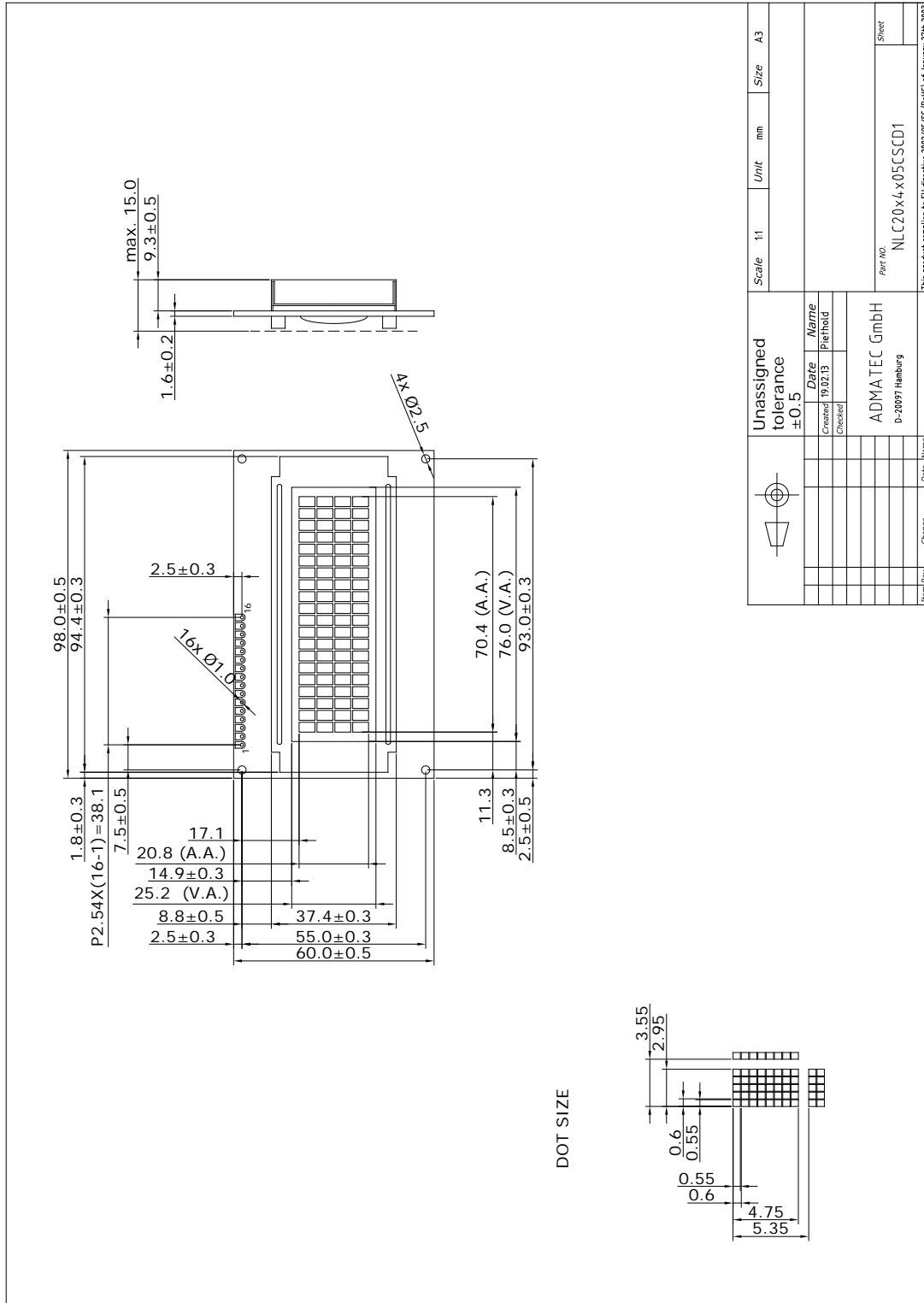
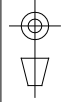


Fig 11.1: Drawing of NLC20X4X05CSCD1

		Unassigned tolerance ±0.5		Scale	1:1	Unit	mm	Size	A3
				Created	19.02.13				
				Checked					
				Name	ADMATEC GmbH				
				Place/Head	D-20097 Hamburg				
				Date					
				Name					
				Change					
				Part No.	NLC20x4x05CSCD1				
				Sheet					
This product complies to EU directive 2002/95/EC (RoHS) of January 27th,2003									

12 Order information

The products specified within this documentation can be ordered from admatec with the part numbers listed in Table 12.1.

Table 12.1: Order information

Main Characteristics	Part Number
Character LCD Module, STN transfective / yellow mode, yellow-green LED-Backlight, 20 x 4 character, 6:00, VA:76.0 x 25.2 mm (WxH), Top:-20°C~70°C, RoHS	NLC20x4x05CSCD1

Data sheet status	Definition
Objective	This data sheet contains the customer requirements.
Preliminary	This data sheet contains preliminary data.
Product	This data sheet contains final specification.