

LCD Module

NLC16x2E05MSCDL

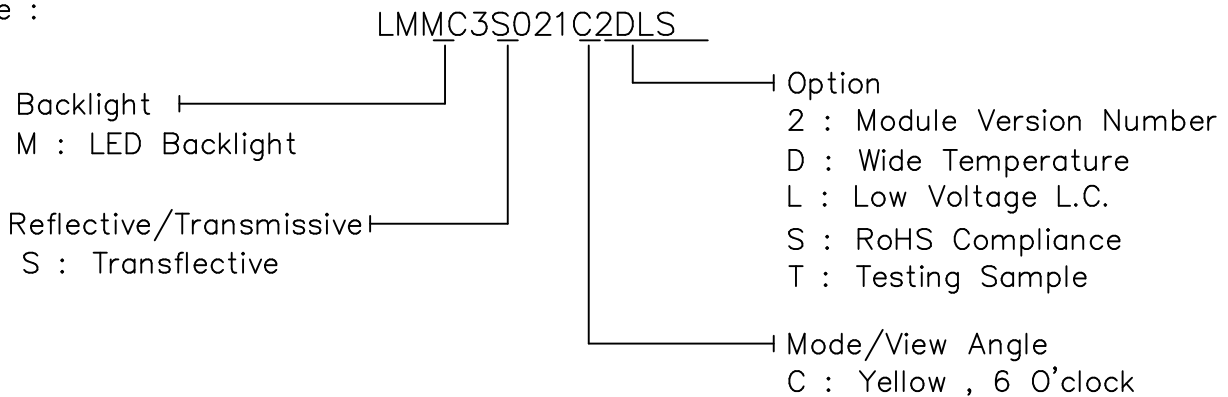
**This data sheet was
provided by
admatec GmbH**



1. MECHANICAL DATA

NO	ITEM	CONTENTS	UNIT
1	Product No.	LMM73S021C2DLS_	-
2	Module Size	71.5 (W) x 36.0 (H) x MAX 14.5 (D)	mm
3	Dot Size	0.5 (W) x 0.55 (H)	mm
4	Dot Pitch	0.57 (W) x 0.62 (H)	mm
5	Character Size	2.5 (W) x 4.4 (H)	mm
6	Character Pitch	2.85 (W) x 4.96 (H)	mm
7	Number of Characters	16 (W) x 1 (H)	Character
8	Character Format	5 (W) x 8 (H)	Dot
9	Duty	1/16	-
10	LCD Display Mode	STN, Yellow Mode	-
11	Rear Polarizer	Transflective	-
12	Viewing Direction	6	O'clock
13	Backlight	LED	-
14	Weight	35 (Approx.)	g

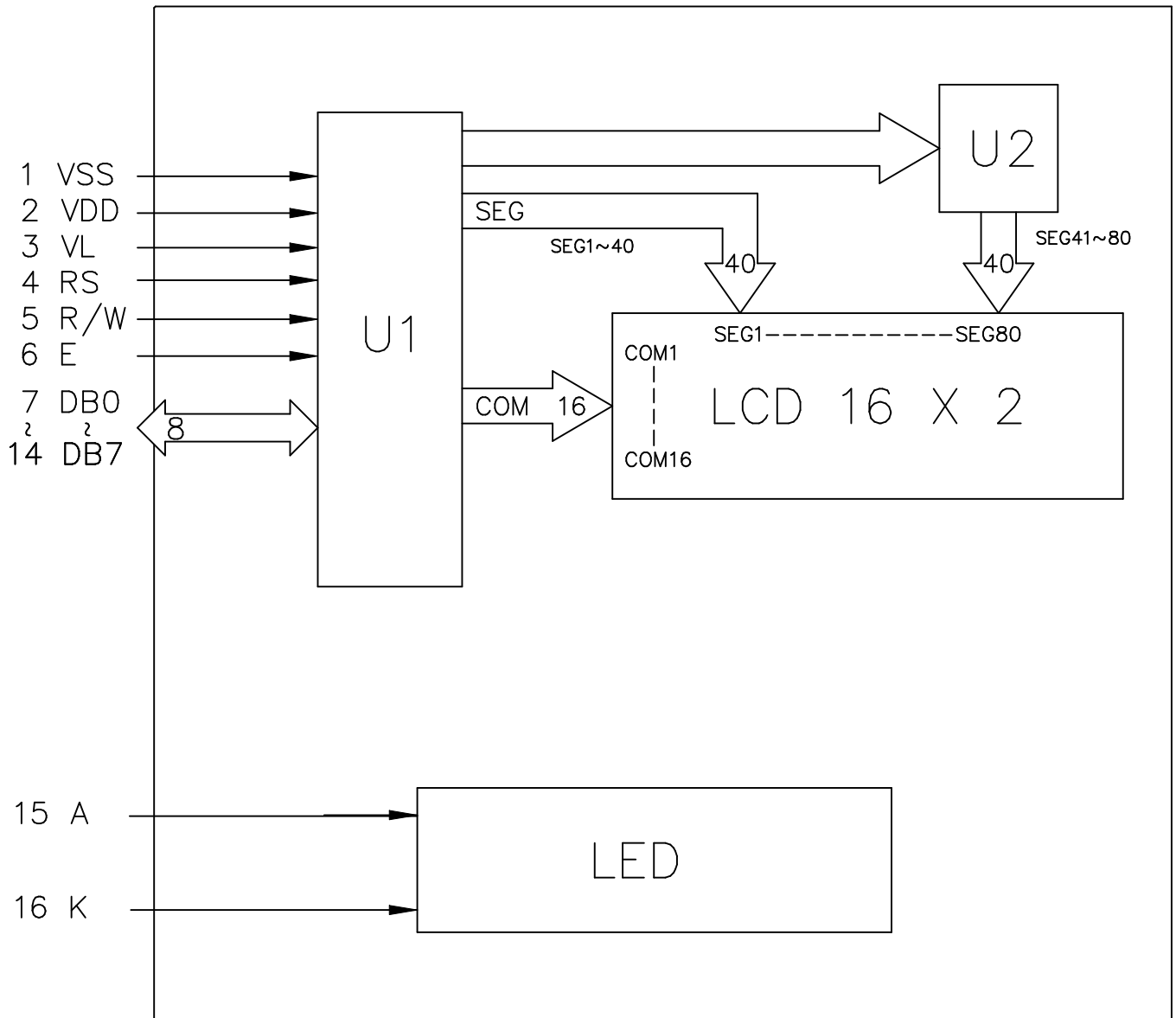
Note :



RoHS Compliance.

Nan Ya guarantees that this project doesn't include any materials (6 materials) or includes less than specified quantities which are regulated by RoHS Compliance.

5. BLOCK DIAGRAM

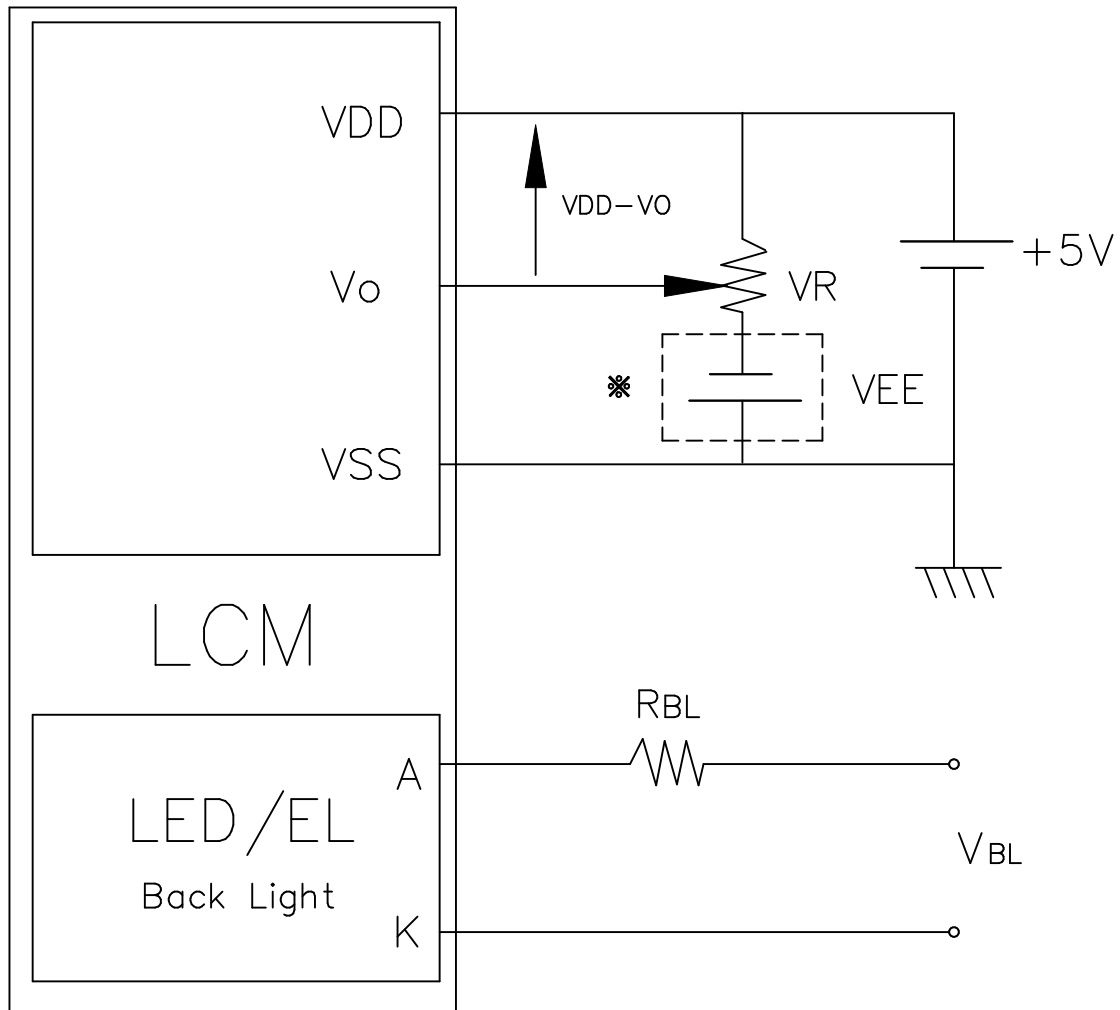


6. INTERNAL PIN CONNECTION

LCM Interface

PIN NO	SYMBOL	FUNCTION
1	VSS	Power Supply(0V)
2	VDD	Power Supply(+5V)
3	VO	Power Supply for LCD
4	RS	Register Select
5	R/W	Read/Write Signae
6	E	Chip Enable
7	DB0	Data Bus
8	DB1	
9	DB2	
10	DB3	
11	DB4	
12	DB5	
13	DB6	
14	DB7	
15	A	Anode for LED B.L.
16	K	Cathod for LED B.L.

7. POWER SUPPLY



$$VR = 20K\Omega$$

VEE = 0V(NORMAL TEMP. MODE LCM)

VEE = 3~5V(WIDE TEMP. MODE LCM)

Recommended Value for RBL and VBL

ITEM	RBL	VBL
Back Light	LED	LED
Interface		
16 PIN(A.K)	0Ω	5V

