



admatec

The better Display Solution


LCD Module

2.8" TFT Family

DATA SHEET

Product specification V 1.4

Approval of specification

	Approved by	Date
admatec		2015-08-06
Customer		

This product complies to EU directive 2002/95/EC (RoHS) of January 27th, 2003.

admatec GmbH

Wendenstrasse 29, 20097 Hamburg, Germany

Tel.: +49-40-238533-0, Fax: +49-40-238533-11

Internet: www.admatec.de, Email: info@admatec.de

1 General data

Table 1.1: General data

No.	Item		Content
1.	module size	w/o TP	50.0 mm (W) * 69.2 mm (H) * 2.3 mm (D)
		res. TP	50.0 mm (W) * 69.2 mm (H) * 3.4 mm (D)
2.	active area	w/o TP	43.2 mm (W) * 57.6 mm (H)
		res. TP	
3.	pixel pitch		0.18 mm (W) * 0.18 mm (H)
4.	number of dots		240 * 3 (RGB) (W) * 320 (H)
5.	LCD type		TFT color 262k, transmissive
6.	backlight		LED white
7.	controller		ST7789V
8.	interface		4-wire SPI
9.	weight	w/o TP	16 g (approx.)
		res. TP	24 g (approx.)

Note: w/o TP = without touch panel
 res. TP = resistive touch panel

5 Block diagram

5.1 Block diagram for TFT panel w/o TP

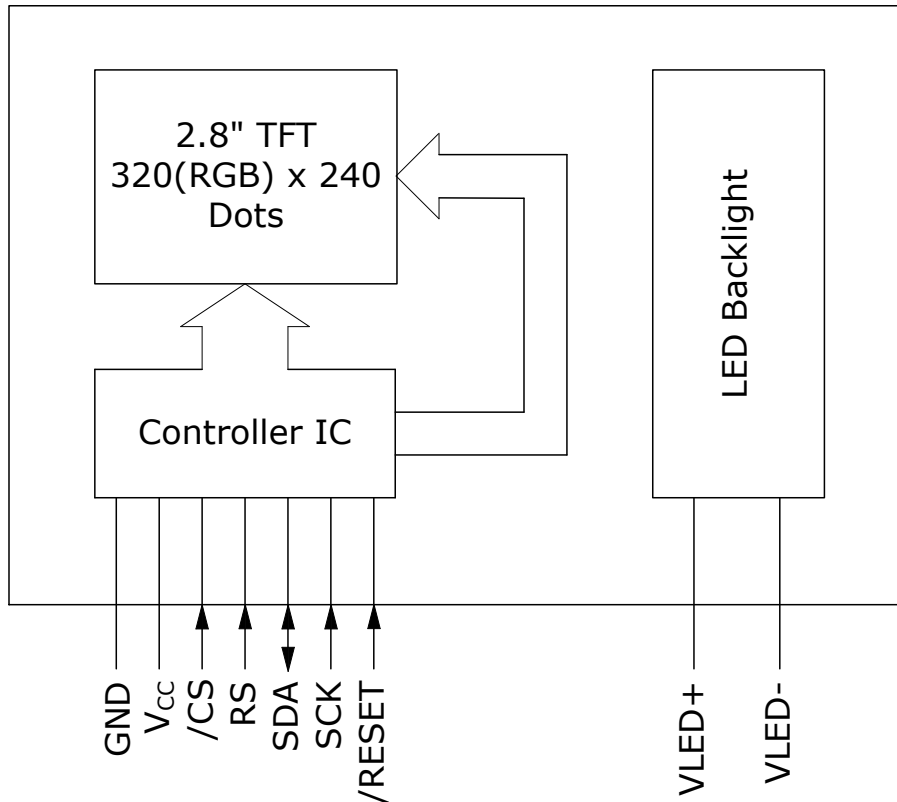


Figure 5.1: Block diagram for TFT panel w/o TP

5.2 Block diagram for TFT panel with res. TP

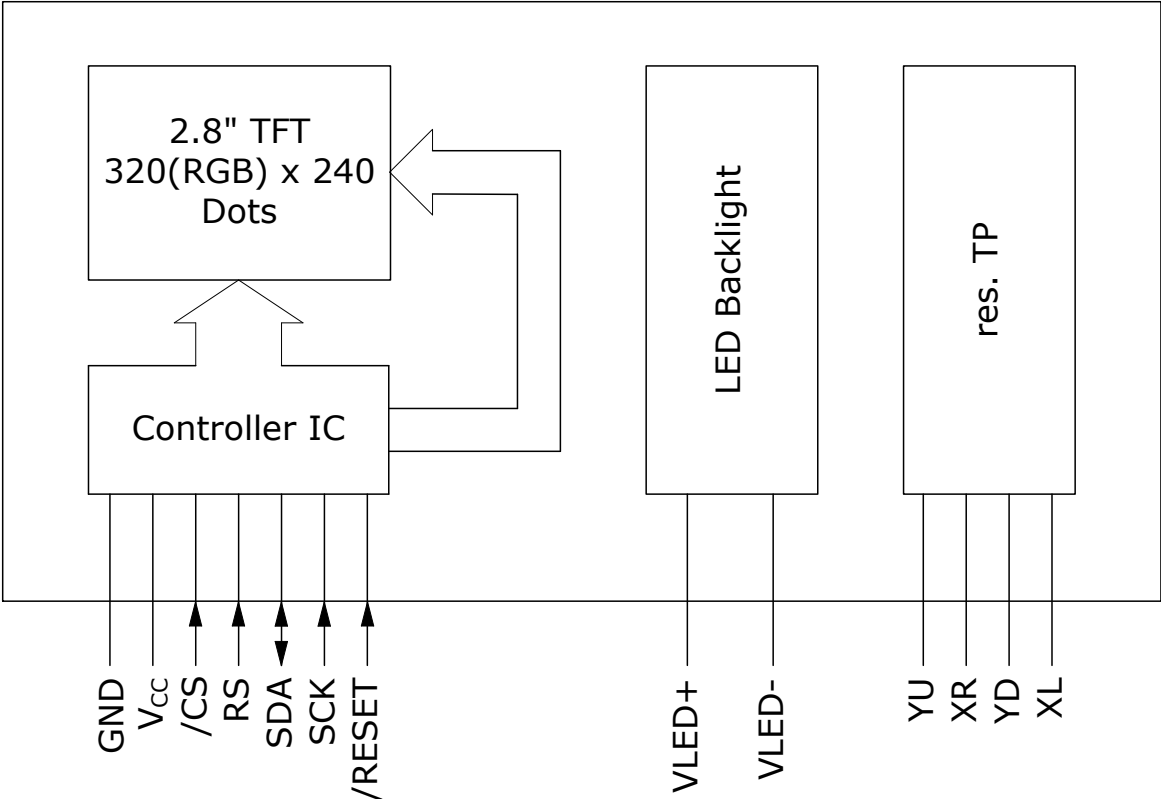


Figure 5.2: Block diagram for TFT panel w/o TP

6 Interface description

6.1 Interface of TFT panel w/o TP

Table 6.1: TFT panel w/o TP interface description

Symbol	Pin no.	IO	Function
GND	1	PWR	ground
/RESET	2	I	reset signal
SCK	3	I	serial clock
SDA	4	I/O	serial data
RS	5	I	register select 'L' = control data 'H' = display data
/CS	6	I	chip select
V _{CC}	7	PWR	power supply
GND	8	PWR	ground
LED-	9	PWR	backlight cathode
LED+	10	PWR	backlight anode

FPC: 10 pin, 0.5 mm pitch

6.2 Interface of res. TP

Table 6.2: res. TP interface description

Symbol	Pin no.	IO	Function
XR	1	--	res. TP interface
YD	2	--	
XL	3	--	
YU	4	--	

FPC: 4 pin, 0.5 mm pitch

