



admatec

The better Display Solution

LCD Module

T043C004800272T2AG3B17

DATA SHEET

Product specification V 1.0

Approval of Specification

	Approved by	Date
admatec	H. Ghaybi	2016-02-23
Customer		

This product complies to EU directive 2002/95/EC (RoHS) of January 27th, 2003.

1 General data

Table 1.1: General data

No.	Item	Content	
1.	module size	114.0 mm (W) * 78.0 mm (H) * 5.7 mm (T)	
2.	visible area	96.0 mm (W) * 54.96 mm (H)	
3.	active area	95.04 mm (W) * 53.86 mm (H)	
4.	dot pitch	0.066 mm (W) * 0.198 mm (H)	
5.	number of dots	480 x 3(RGB) (W) * 272 (H)	
6.	LCD type	TFT, transmissive	
7.	backlight	white LED	
8.	controller	NT39017C or ILI6480B	
9.	interface	24-bit RGB	
10.	touch panel	type	capacitive (CTP)
		material	glass / glass
		controller	FT5306
		interface	I ² C
11.	weight	60 g (approx.)	

5 Block diagram

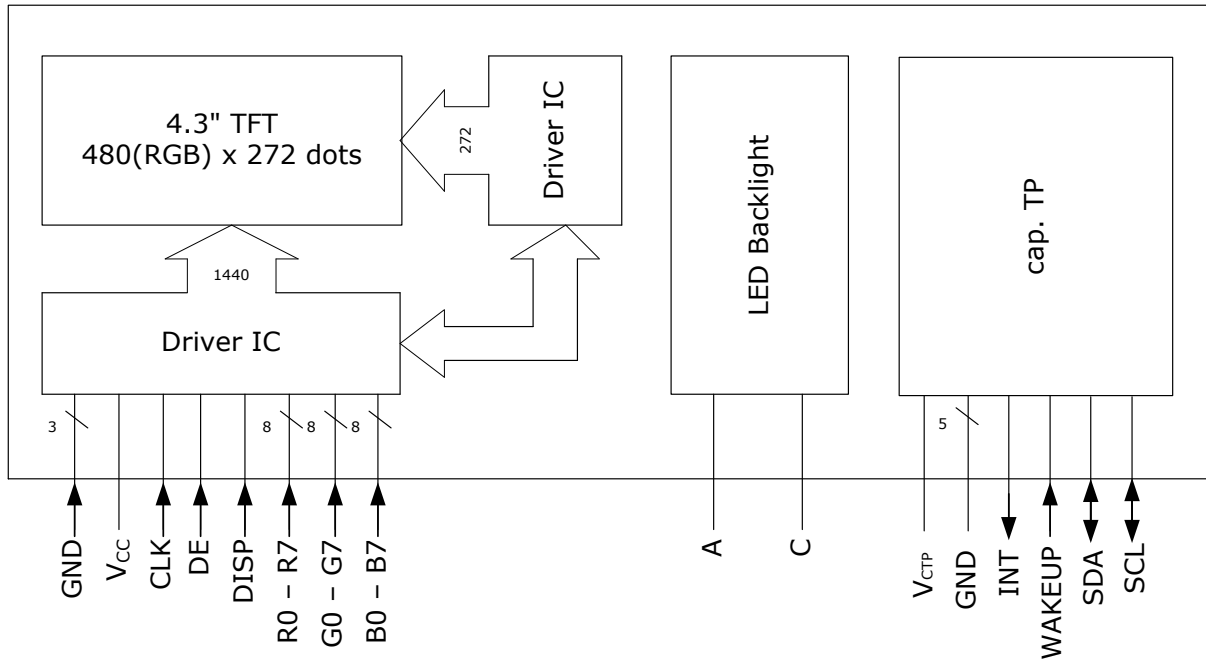


Figure 5.1 : Block diagram of T043C004800272T2AG3B17

6 Interface description

6.1 Interface of LCD

Table 6.1: LCD interface description

Symbol	Pin no.	IO	Function
C	1	PWR	power for LED backlight cathode
A	2	PWR	power for LED backlight anode
GND	3	PWR	ground
V _{cc}	4	PWR	power supply for logic
R0	5	I	red data
R1	6	I	
R2	7	I	
R3	8	I	
R4	9	I	
R5	10	I	
R6	11	I	
R7	12	I	
G0	13	I	green data
G1	14	I	
G2	15	I	
G3	16	I	
G4	17	I	
G5	18	I	
G6	19	I	
G7	20	I	
B0	21	I	blue data
B1	22	I	
B2	23	I	
B3	24	I	
B4	25	I	
B5	26	I	
B6	27	I	
B7	28	I	
GND	29	PWR	ground
CLK	30	I	pixel clock
DISP	31	I	display on/ off
NC	32	--	not connect
NC	33	--	
DE	34	I	data enable
NC	35	--	not connect
GND	36	PWR	ground
NC	37	--	not connect
NC	38	--	
NC	39	--	
NC	40	--	

FPC: 40 pin, 0.5 mm pitch

6.2 Interface of CTP

Table 6.2: CTP interface description

Symbol	Pin no.	IO	Function
GND	1	PWR	ground
GND	2	PWR	
GND	3	PWR	
GND	4	PWR	
GND	5	PWR	
V _{cc}	6	PWR	power supply for logic
INT	7	O	external interrupt to the host
WAKEUP	8	I	external interrupt from the host
SCL	9	I/O	serial clock
SDA	10	I/O	serial data

FPC: 10 pin, 0.5 mm pitch

10 Drawing

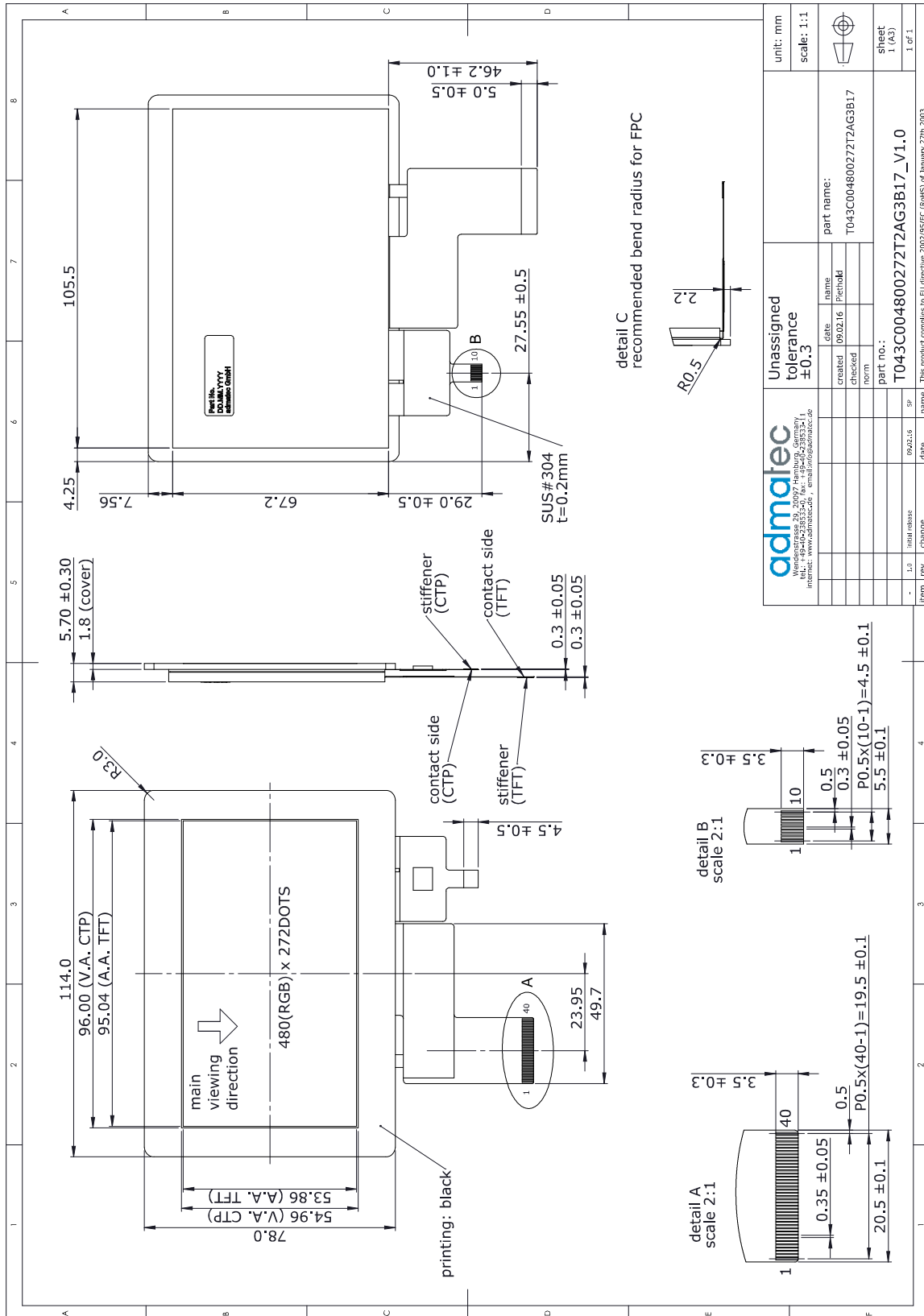


Fig 10.1: Drawing of T043C004800272T2AG3B17